

Compal Confidential

YOGA 730 15" DIS M/B Schematics Document

Intel KabyLake R Processor with DDR4

N17P-G0-A1 (29x29mm)

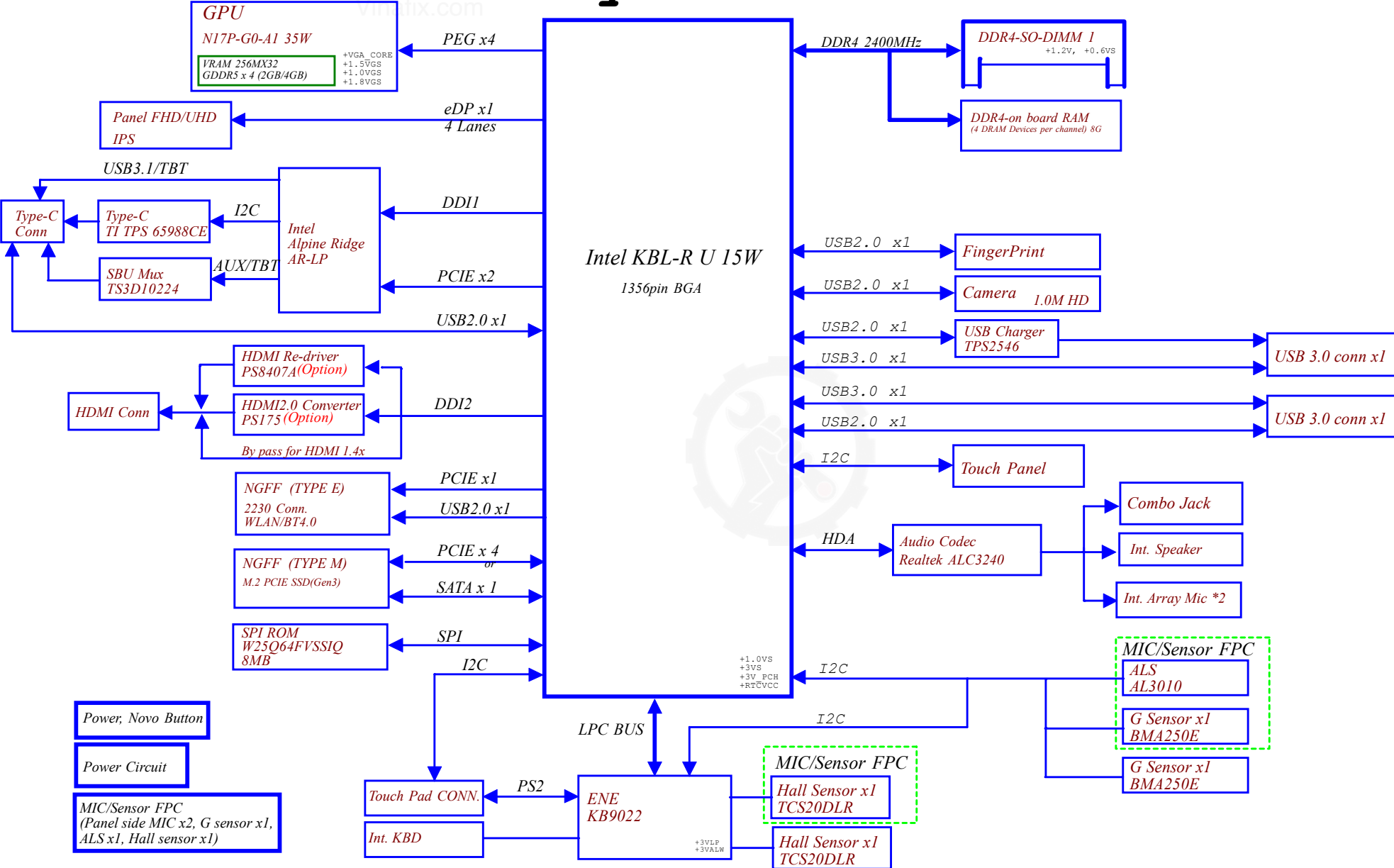
2017-12-5

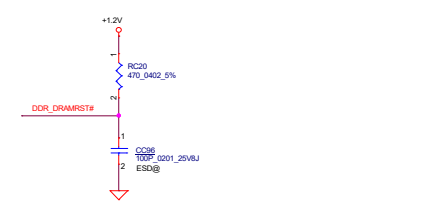
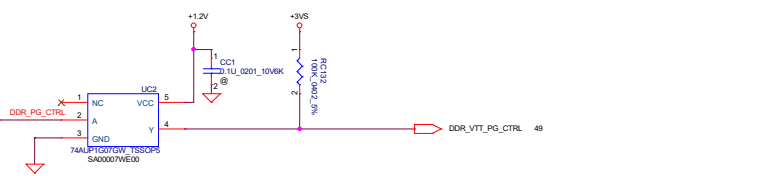
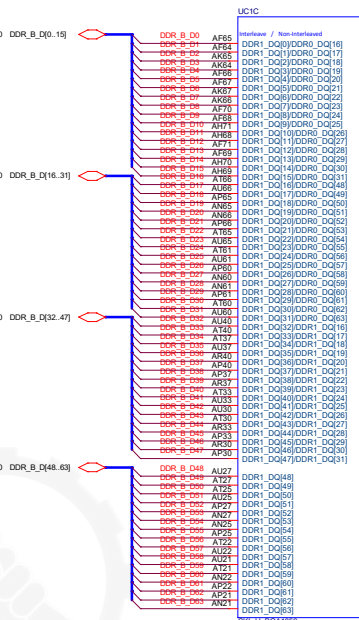
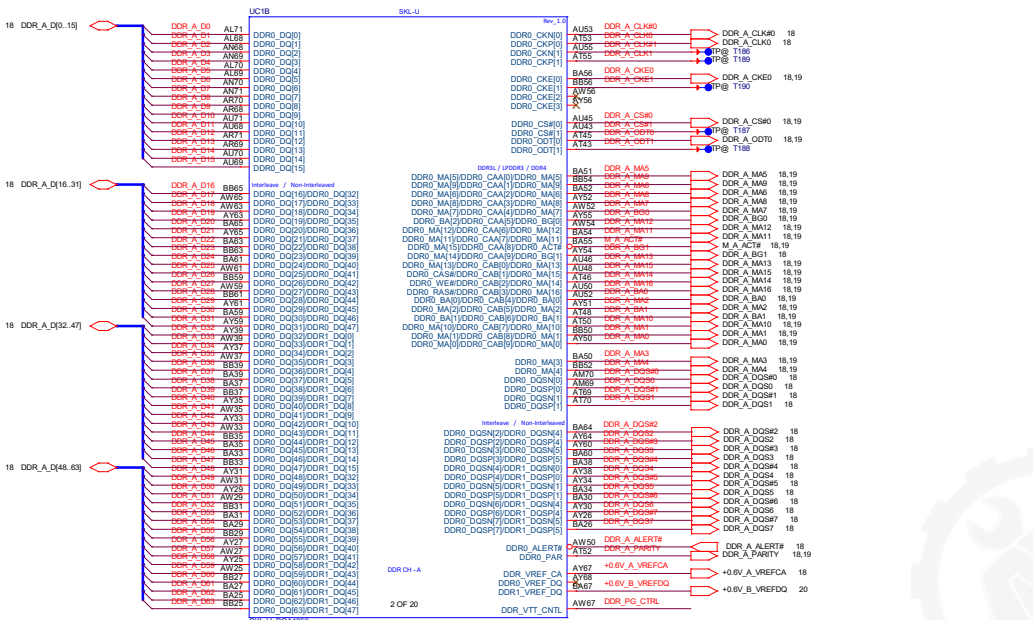
LA-F661P

REV: 1.0

Security Classification	Compal Secret Data			Compal Electronics, Inc.		
Issued Date	2017/5/3	Deciphered Date	2017/6/2	Title Cover Page		
<small>THIS SHEET OF ENGINEERING DRAWING IS THE PROPRIETARY PROPERTY OF COMPAL ELECTRONICS, INC. AND CONTAINS CONFIDENTIAL AND TRADE SECRET INFORMATION. THIS SHEET MAY NOT BE TRANSFERRED FROM THE CUSTODY OF THE COMPETENT DIVISION OF R&D DEPARTMENT EXCEPT AS AUTHORIZED BY COMPAL ELECTRONICS, INC. NEITHER THIS SHEET NOR THE INFORMATION IT CONTAINS MAY BE USED BY OR DISCLOSED TO ANY THIRD PARTY WITHOUT PRIOR WRITTEN CONSENT OF COMPAL ELECTRONICS, INC.</small>				Size	Document Number	Rev
				C	LA-F661P	03
Date: Wednesday, December 06, 2017				Sheet	1	of 61

KabyLake-R

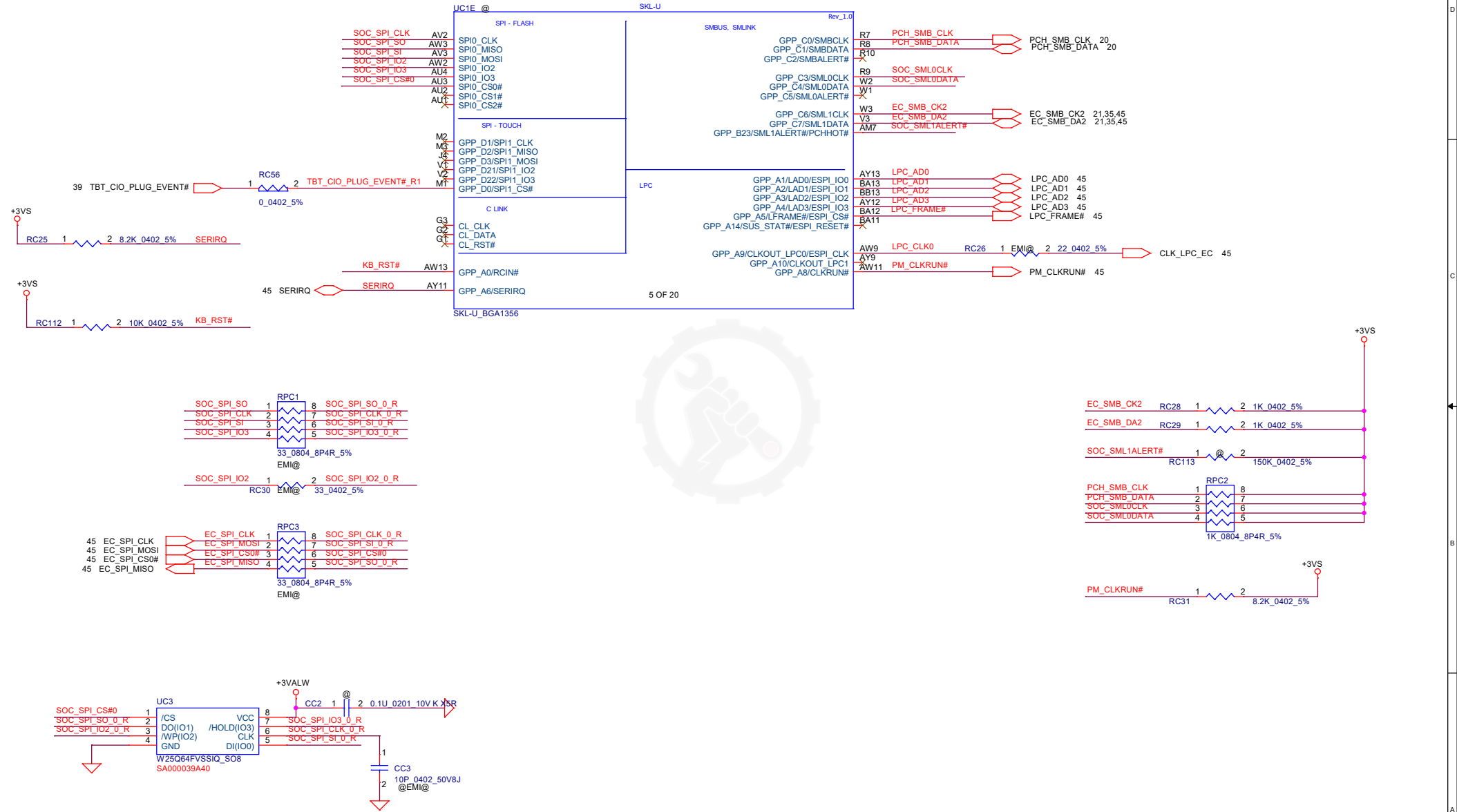




Security Classification	Compal Secret Data		Date
	Issued Date	Deciphered Date	
	2017/6/3	2017/6/2	

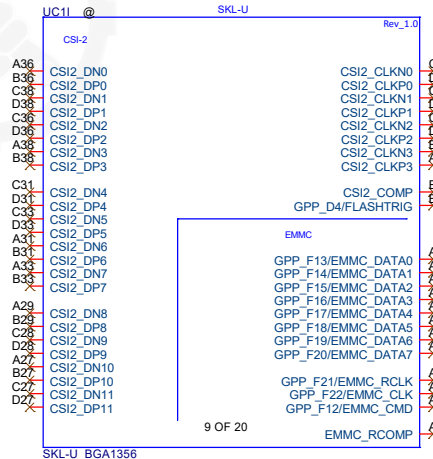
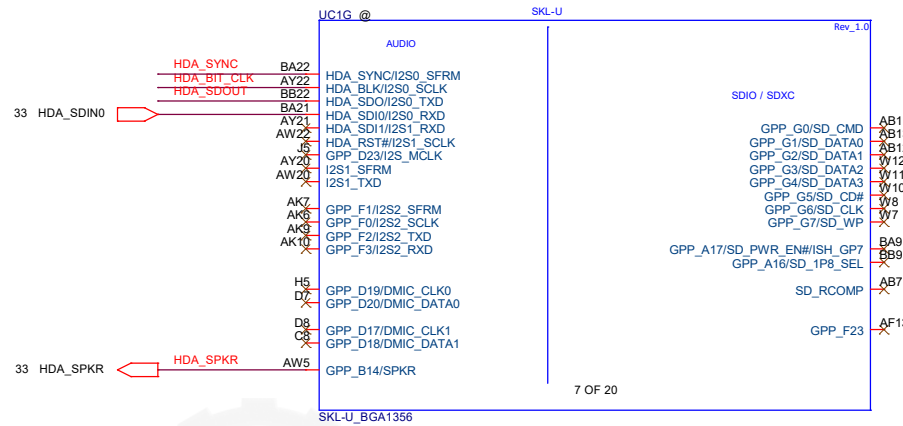
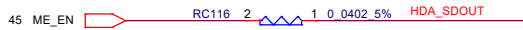
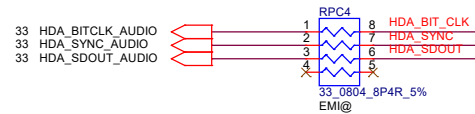
Title: **Compal Electronics, Inc.**
SKL-U(2/12)DDR4
 Doc. Number: **LA-F661P**
 Date: **Wednesday, October 18, 2017**

THIS SHEET OF ENGINEERING DRAWING IS THE PROPRIETARY PROPERTY OF COMPAL ELECTRONICS, INC. AND CONTAINS CONFIDENTIAL AND TRADE SECRET INFORMATION. THIS SHEET MAY NOT BE TRANSFERRED FROM THE CUSTODY OF THE COMPETENT DIVISION OF R&D DEPARTMENT AS AUTHORIZED BY COMPAL ELECTRONICS, INC. NEITHER THIS SHEET NOR THE INFORMATION IT CONTAINS MAY BE USED BY OR DISCLOSED TO ANY THIRD PARTY WITHOUT PRIOR WRITTEN CONSENT OF COMPAL ELECTRONICS, INC.

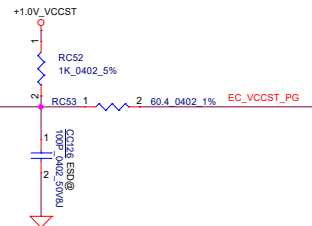
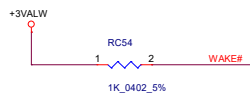
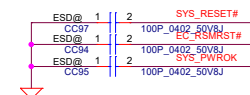
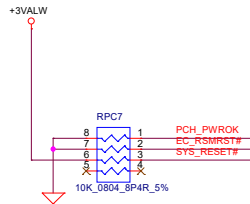
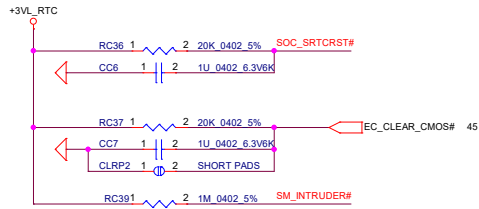
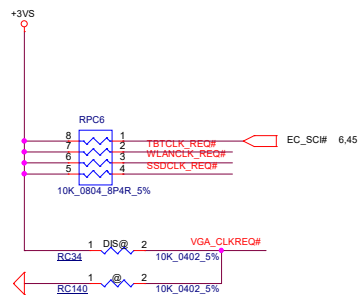


Security Classification		Compal Secret Data		Compal Electronics, Inc.	
Issued Date	2017/5/3	Deciphered Date	2017/6/2	Title	
				SKL-U(3/12)SPI,SMB,LPC,ESPI	
Size	Document Number			Rev	0.3
Custom	LA-F661P				
Date:	Wednesday, October 18, 2017		Sheet	8	of 61

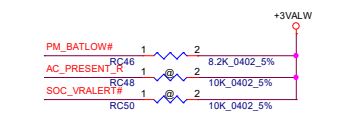
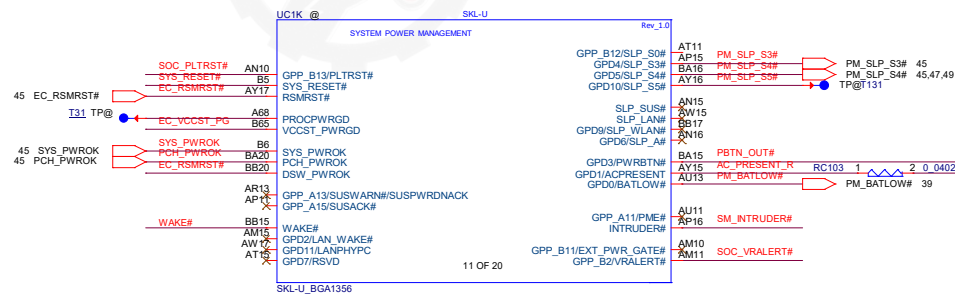
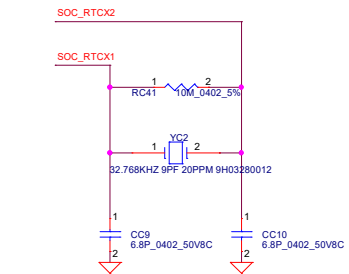
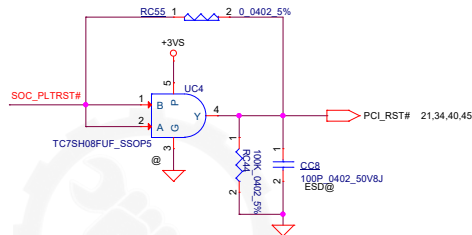
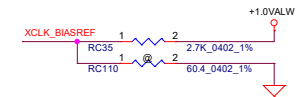
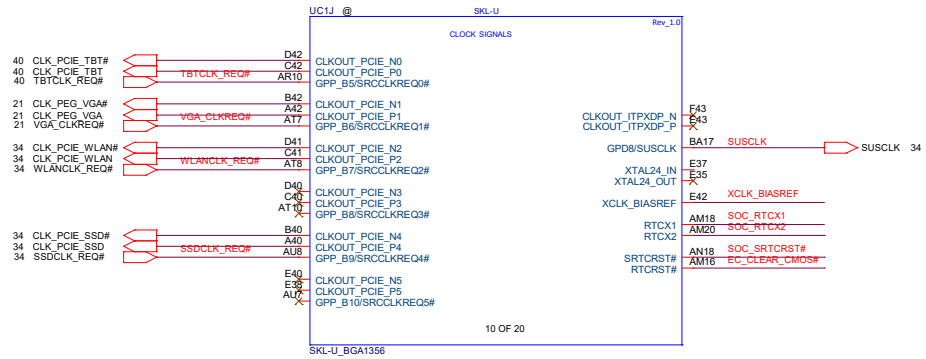
THIS SHEET OF ENGINEERING DRAWING IS THE PROPRIETARY PROPERTY OF COMPAL ELECTRONICS, INC. AND CONTAINS CONFIDENTIAL AND TRADE SECRET INFORMATION. THIS SHEET MAY NOT BE TRANSFERRED FROM THE CUSTODY OF THE COMPETENT DIVISION OF R&D DEPARTMENT EXCEPT AS AUTHORIZED BY COMPAL ELECTRONICS, INC. NEITHER THIS SHEET NOR THE INFORMATION IT CONTAINS MAY BE USED BY OR DISCLOSED TO ANY THIRD PARTY WITHOUT PRIOR WRITTEN CONSENT OF COMPAL ELECTRONICS, INC.



Security Classification		Compal Secret Data		Compal Electronics, Inc.	
Issued Date	2017/5/3	Deciphered Date	2017/6/2	Title	
THIS SHEET OF ENGINEERING DRAWING IS THE PROPRIETARY PROPERTY OF COMPAL ELECTRONICS, INC. AND CONTAINS CONFIDENTIAL AND TRADE SECRET INFORMATION. THIS SHEET MAY NOT BE TRANSFERRED FROM THE CUSTODY OF THE COMPETENT DIVISION OF R&D DEPARTMENT EXCEPT AS AUTHORIZED BY COMPAL ELECTRONICS, INC. NEITHER THIS SHEET NOR THE INFORMATION IT CONTAINS MAY BE USED BY OR DISCLOSED TO ANY THIRD PARTY WITHOUT PRIOR WRITTEN CONSENT OF COMPAL ELECTRONICS, INC.				SKL-U(4/12)HDA,EMMC,SDIO,CSI2	
Size	Custom	Document Number	LA-F661P	Rev	0.3
Date:	Wednesday, October 18, 2017			Sheet	9 of 61

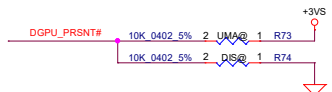
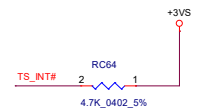
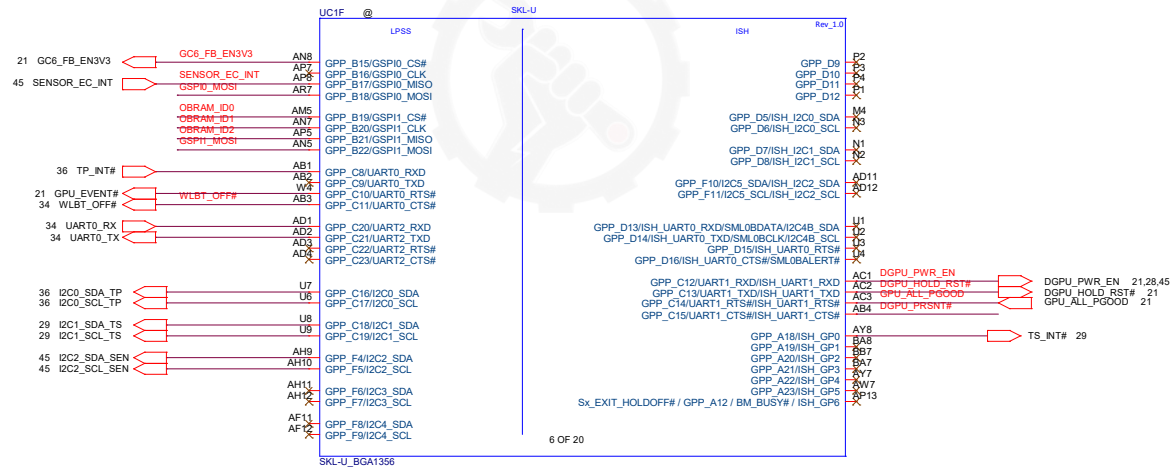
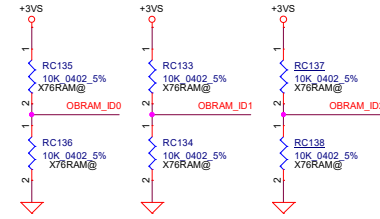
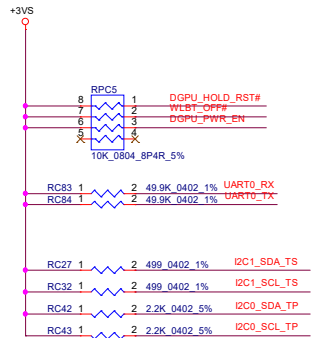
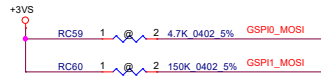


Vinafix.com

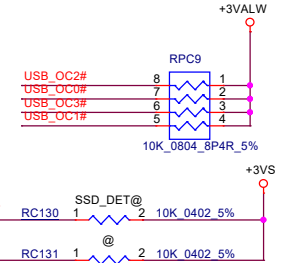
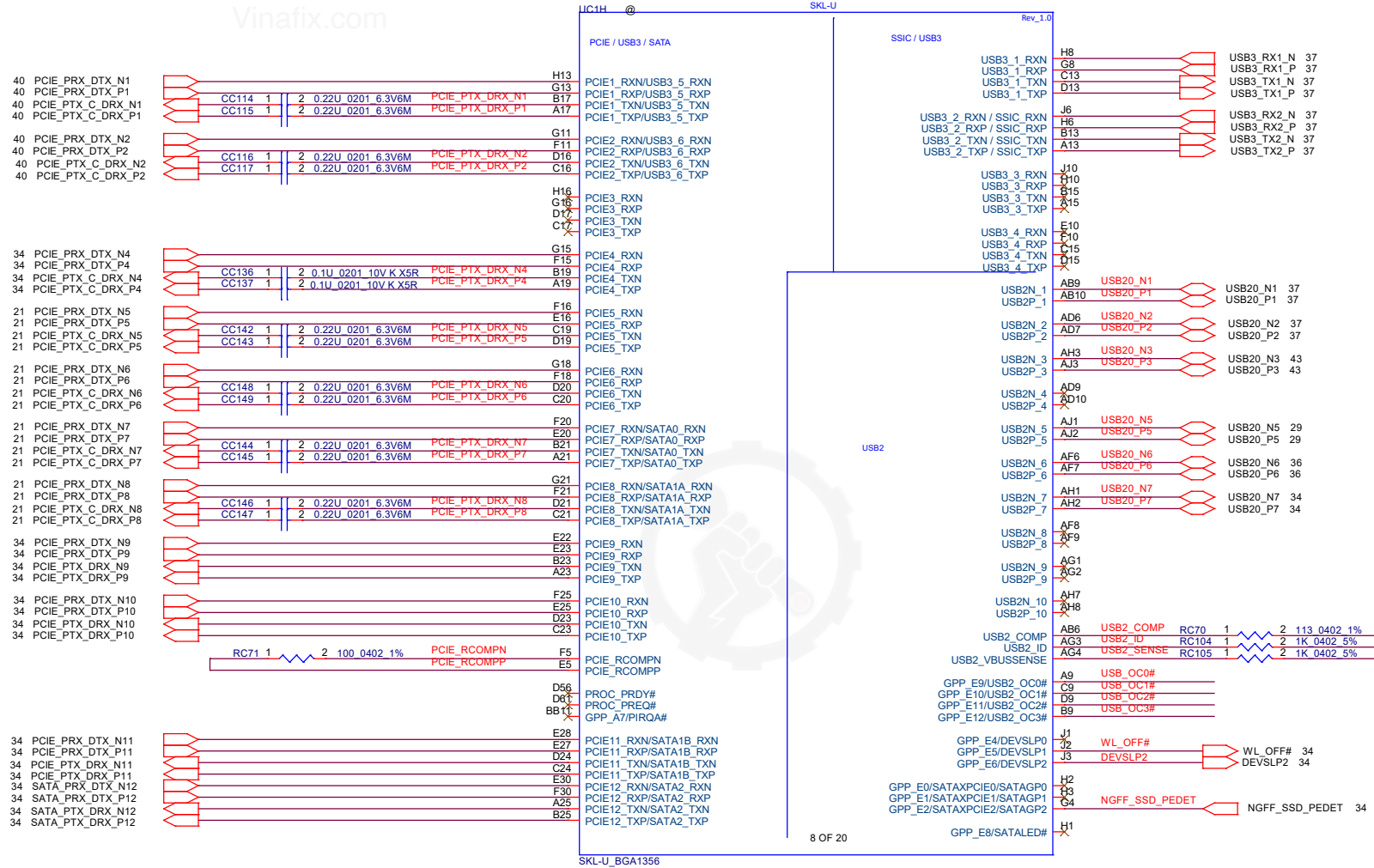


Security Classification	Compal Secret Data		Title	
Issued Date	2017/5/3	Deciphered Date	2017/6/2	Document Number
THIS SHEET OF ENGINEERING DRAWING IS THE PROPRIETARY PROPERTY OF COMPAL ELECTRONICS, INC. AND CONTAINS CONFIDENTIAL AND TRADE SECRET INFORMATION. THIS SHEET MAY NOT BE TRANSFERRED FROM THE CUSTODY OF THE COMPETENT DIVISION OF R&D DEPARTMENT EXCEPT AS AUTHORIZED BY COMPAL ELECTRONICS, INC. NEITHER THIS SHEET NOR THE INFORMATION IT CONTAINS MAY BE USED BY OR DISCLOSED TO ANY THIRD PARTY WITHOUT PRIOR WRITTEN CONSENT OF COMPAL ELECTRONICS, INC.				Rev 0.3
Date: Wednesday, October 18, 2017				Sheet 10 of 81

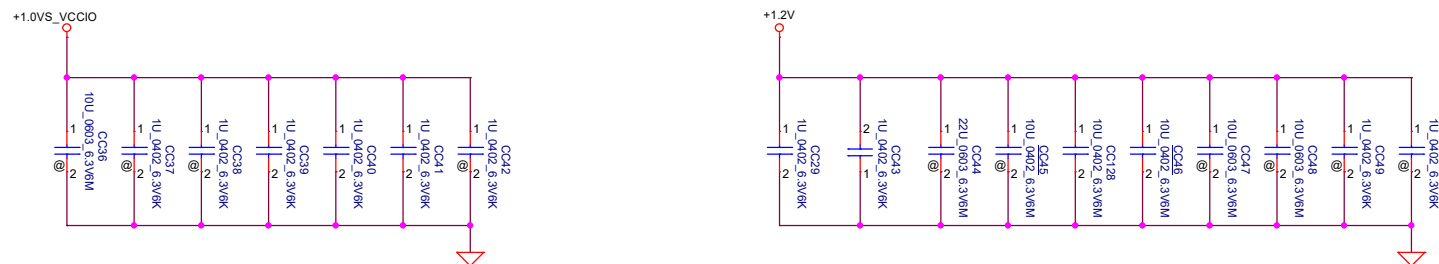
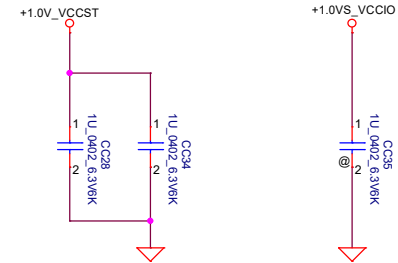
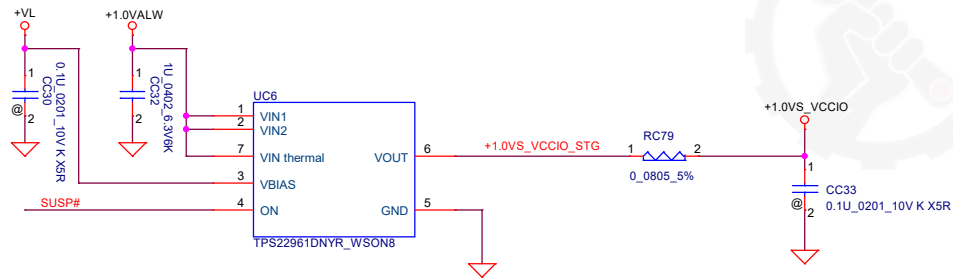
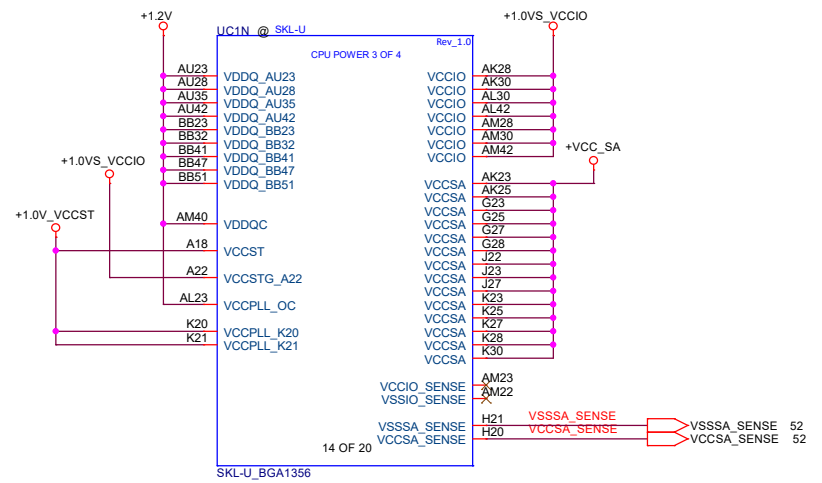
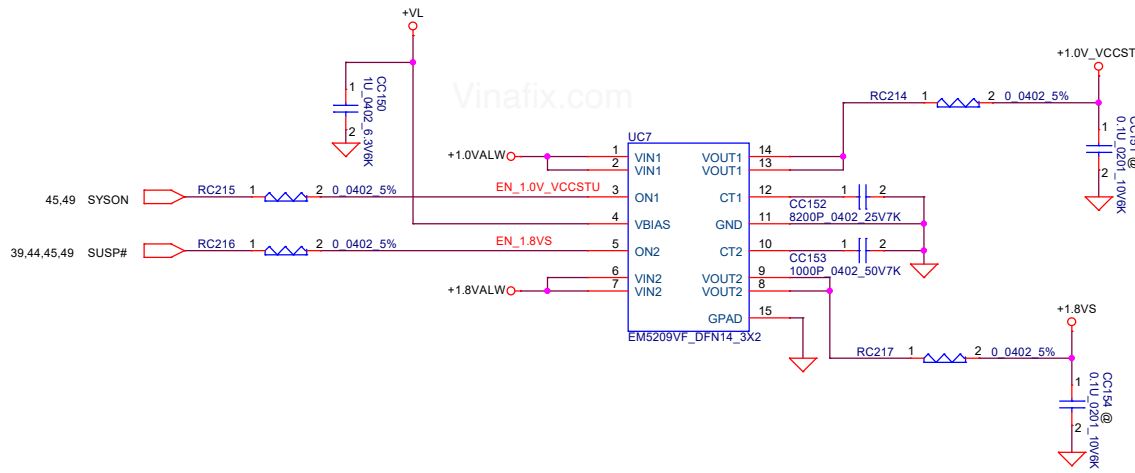
Compal Electronics, Inc.
SKL-U(S12)CLK,PM,GPIO
LA-F661P



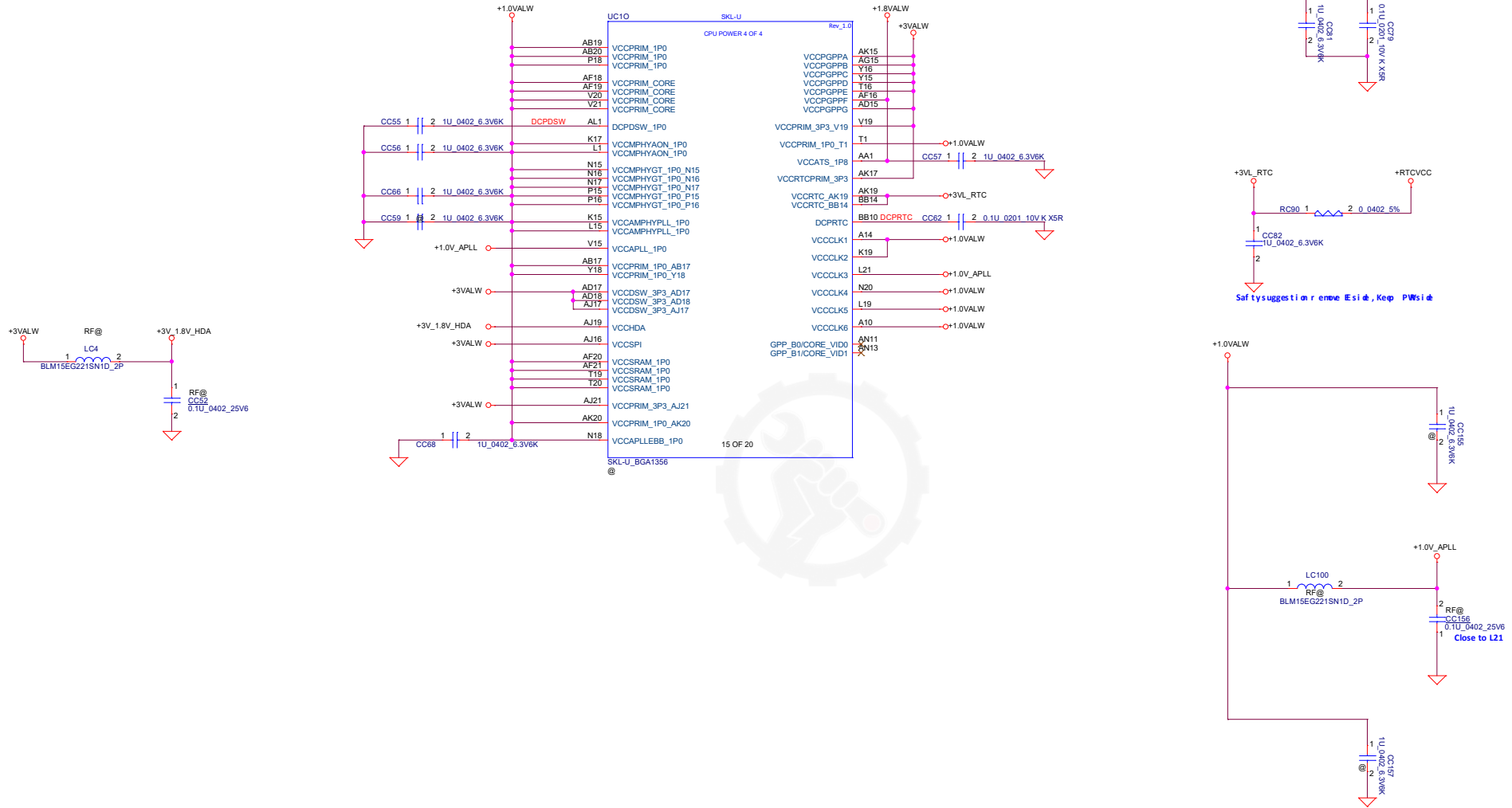
Security Classification	Compal Secret Data		Title	
Issued Date	2017/5/3	Deciphered Date	2017/6/2	SKL-U(6/12)GPIO,I2C,GSPI
THIS SHEET OF ENGINEERING DRAWING IS THE PROPRIETARY PROPERTY OF COMPAL ELECTRONICS, INC. AND CONTAINS CONFIDENTIAL AND TRADE SECRET INFORMATION. THIS SHEET MAY NOT BE TRANSFERRED FROM THE CUSTODY OF THE COMPETENT DIVISION OF R&D DEPARTMENT EXCEPT AS AUTHORIZED BY COMPAL ELECTRONICS, INC. NEITHER THIS SHEET NOR THE INFORMATION IT CONTAINS MAY BE USED BY OR DISCLOSED TO ANY THIRD PARTY WITHOUT PRIOR WRITTEN CONSENT OF COMPAL ELECTRONICS, INC.				Rev 0.3
Size	Document Number	Date: Wednesday, October 18, 2017		Sheet 11 of 81
Custom	LA-F661P			



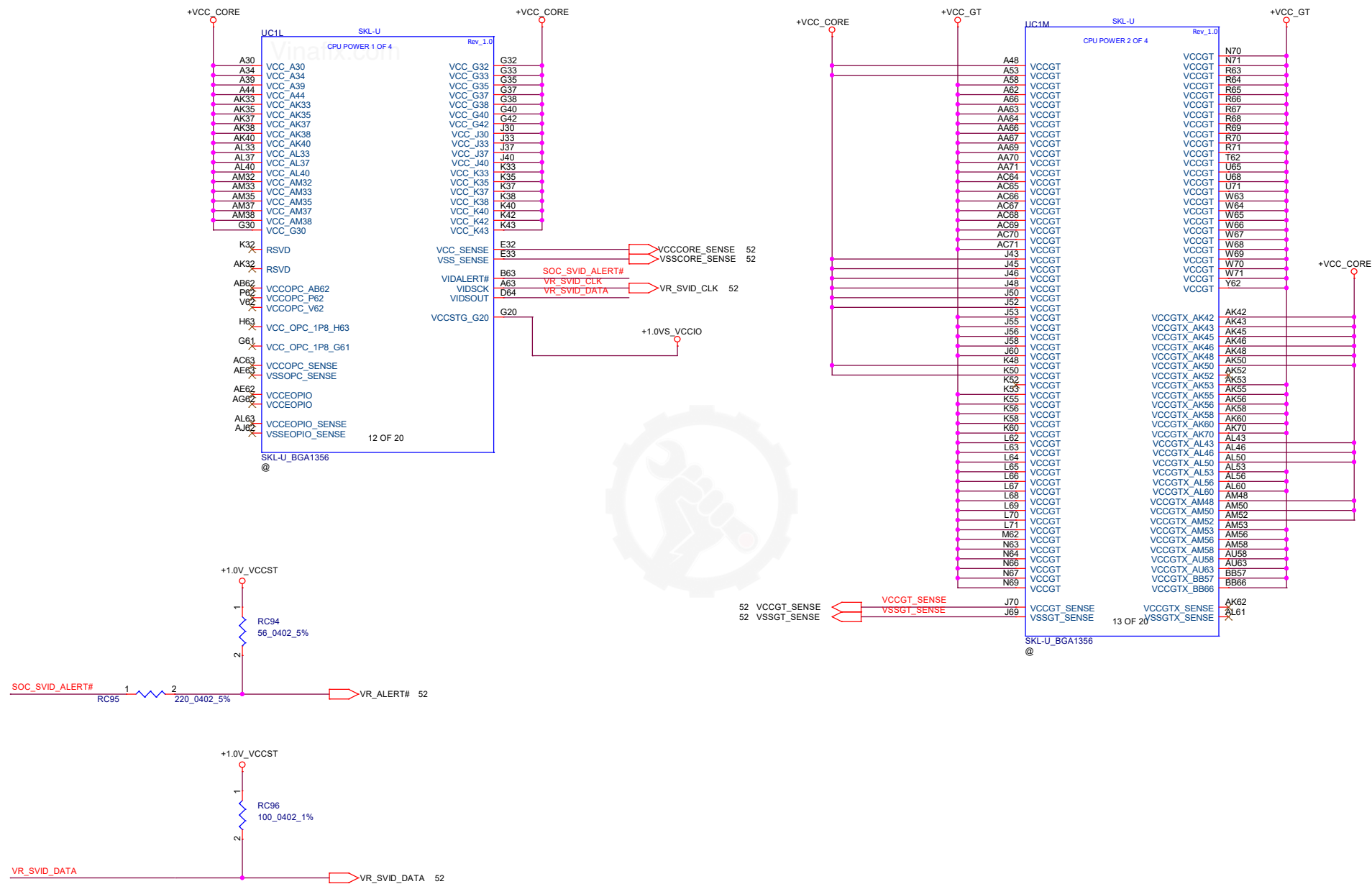
Security Classification		Compal Secret Data		Title	
Issued Date	2017/5/3	Deciphered Date	2017/6/2	SKL-U(7/12)PCIE,USB,SATA	
THIS SHEET OF ENGINEERING DRAWING IS THE PROPRIETARY PROPERTY OF COMPAL ELECTRONICS, INC. AND CONTAINS CONFIDENTIAL AND TRADE SECRET INFORMATION. THIS SHEET MAY NOT BE TRANSFERRED FROM THE CUSTODY OF THE COMPETENT DIVISION OF R&D DEPARTMENT EXCEPT AS AUTHORIZED BY COMPAL ELECTRONICS, INC. NEITHER THIS SHEET NOR THE INFORMATION IT CONTAINS MAY BE USED BY OR DISCLOSED TO ANY THIRD PARTY WITHOUT PRIOR WRITTEN CONSENT OF COMPAL ELECTRONICS, INC.				Size	Document Number
				LA-F661P	Rev 0.3
Date: Wednesday, October 18, 2017				Sheet 12	of 61



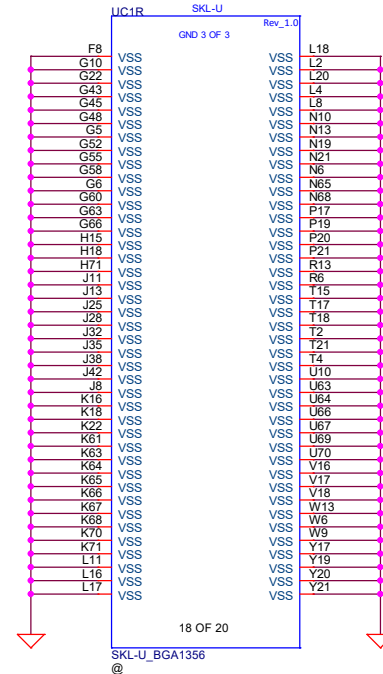
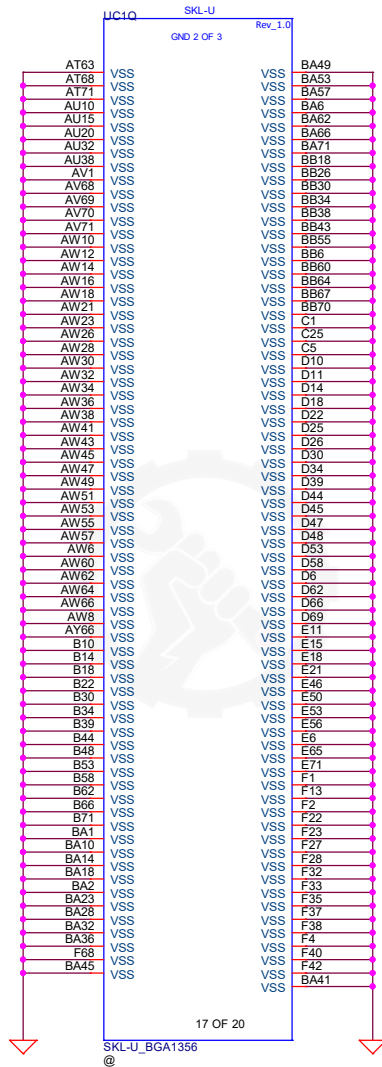
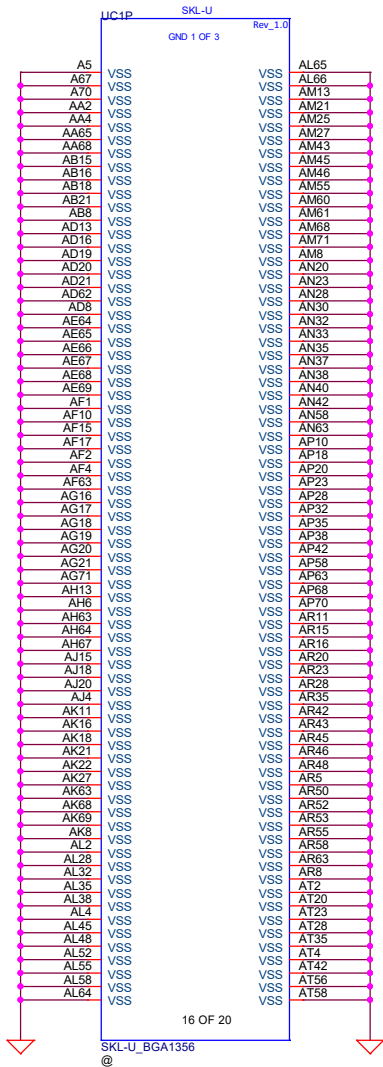
Security Classification		Compal Secret Data		Compal Electronics, Inc.	
Issued Date	2017/5/3	Deciphered Date	2017/6/2	Title	
THIS SHEET OF ENGINEERING DRAWING IS THE PROPRIETARY PROPERTY OF COMPAL ELECTRONICS, INC. AND CONTAINS CONFIDENTIAL AND TRADE SECRET INFORMATION. THIS SHEET MAY NOT BE TRANSFERRED FROM THE CUSTODY OF THE COMPETENT DIVISION OF R&D DEPARTMENT EXCEPT AS AUTHORIZED BY COMPAL ELECTRONICS, INC. NEITHER THIS SHEET NOR THE INFORMATION IT CONTAINS MAY BE USED BY OR DISCLOSED TO ANY THIRD PARTY WITHOUT PRIOR WRITTEN CONSENT OF COMPAL ELECTRONICS, INC.				SKL-U(8/12)Power	
Size	Document Number	Rev		0.3	
Custom	LA-F661P	Date:		Wednesday, October 18, 2017	
				Sheet	13 of 61



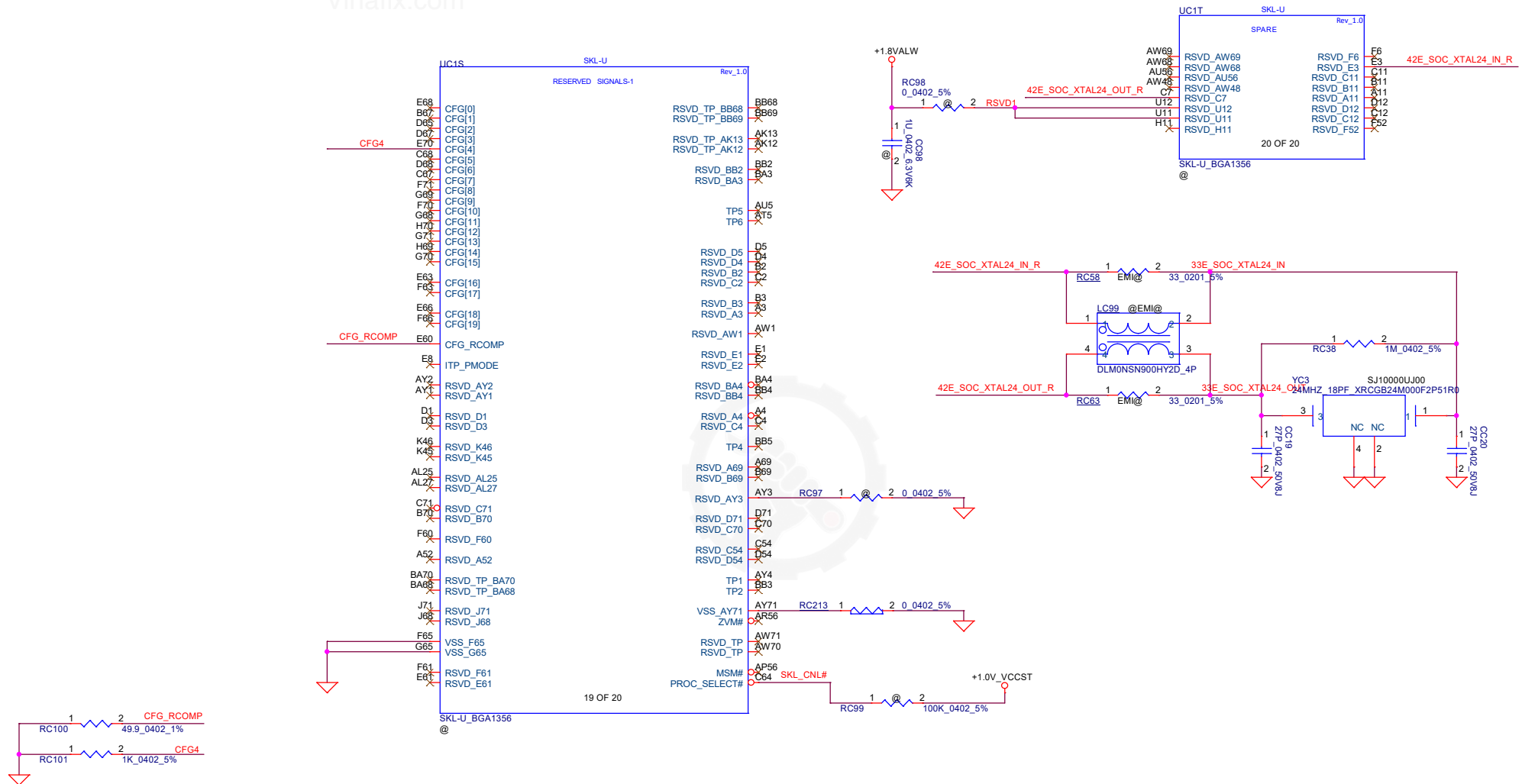
Security Classification	Compal Secret Data		Title		Compal Electronics, Inc.	
Issued Date	2017/5/3	Deciphered Date	2017/6/2	Size		Document Number
THIS SHEET OF ENGINEERING DRAWING IS THE PROPRIETARY PROPERTY OF COMPAL ELECTRONICS, INC. AND CONTAINS CONFIDENTIAL AND TRADE SECRET INFORMATION. THIS SHEET MAY NOT BE TRANSFERRED FROM THE CUSTODY OF THE COMPETENT DIVISION OF R&D DEPARTMENT EXCEPT AS AUTHORIZED BY COMPAL ELECTRONICS, INC. NEITHER THIS SHEET NOR THE INFORMATION IT CONTAINS MAY BE USED BY OR DISCLOSED TO ANY THIRD PARTY WITHOUT PRIOR WRITTEN CONSENT OF COMPAL ELECTRONICS, INC.				Date:		Rev
				Wednesday, October 18, 2017		0.3
				Sheet		14 of 61



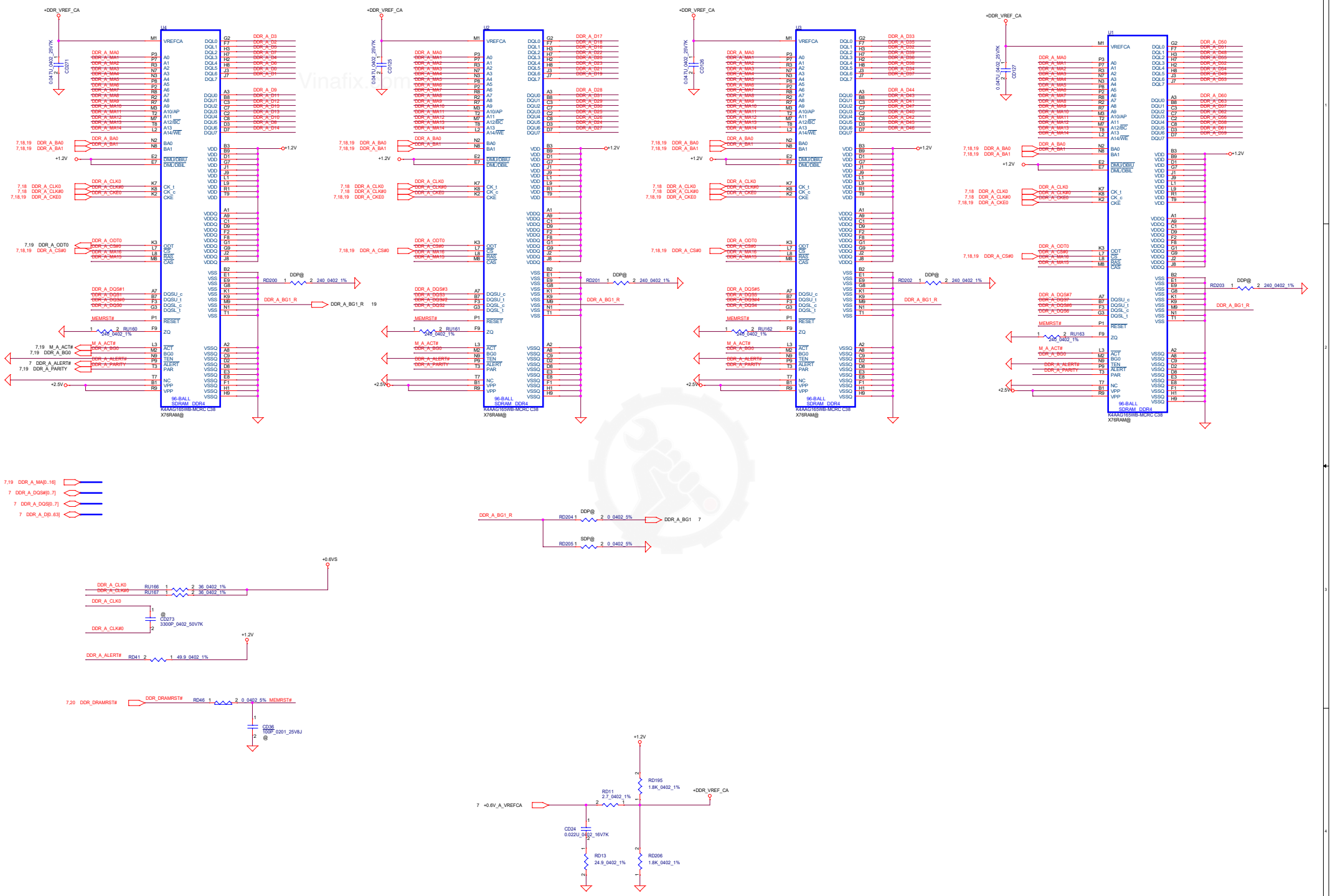
Security Classification		Compal Secret Data		Compal Electronics, Inc.	
Issued Date	2017/5/3	Deciphered Date	2017/6/2	Title	
				SKL-U(10/12)Power,SVID	
THIS SHEET OF ENGINEERING DRAWING IS THE PROPRIETARY PROPERTY OF COMPAL ELECTRONICS, INC. AND CONTAINS CONFIDENTIAL AND TRADE SECRET INFORMATION. THIS SHEET MAY NOT BE TRANSFERRED FROM THE CUSTODY OF THE COMPETENT DIVISION OF R&D DEPARTMENT EXCEPT AS AUTHORIZED BY COMPAL ELECTRONICS, INC. NEITHER THIS SHEET NOR THE INFORMATION IT CONTAINS MAY BE USED BY OR DISCLOSED TO ANY THIRD PARTY WITHOUT PRIOR WRITTEN CONSENT OF COMPAL ELECTRONICS, INC.		Size Custom	Document Number	Rev	0.3
		LA-F661P			
Date:		Wednesday, October 18, 2017		Sheet	15 of 61



Security Classification		Compal Secret Data		Title	
Issued Date	2017/5/3	Deciphered Date	2017/6/2	Compal Electronics, Inc.	
THIS SHEET OF ENGINEERING DRAWING IS THE PROPRIETARY PROPERTY OF COMPAL ELECTRONICS, INC. AND CONTAINS CONFIDENTIAL AND TRADE SECRET INFORMATION. THIS SHEET MAY NOT BE TRANSFERRED FROM THE CUSTODY OF THE COMPETENT DIVISION OF R&D DEPARTMENT EXCEPT AS AUTHORIZED BY COMPAL ELECTRONICS, INC. NEITHER THIS SHEET NOR THE INFORMATION IT CONTAINS MAY BE USED BY OR DISCLOSED TO ANY THIRD PARTY WITHOUT PRIOR WRITTEN CONSENT OF COMPAL ELECTRONICS, INC.				Size	Rev
				Custom	0.3
				Document Number	
				LA-F661P	
				Date:	Tuesday, October 17, 2017
				Sheet	16 of 61

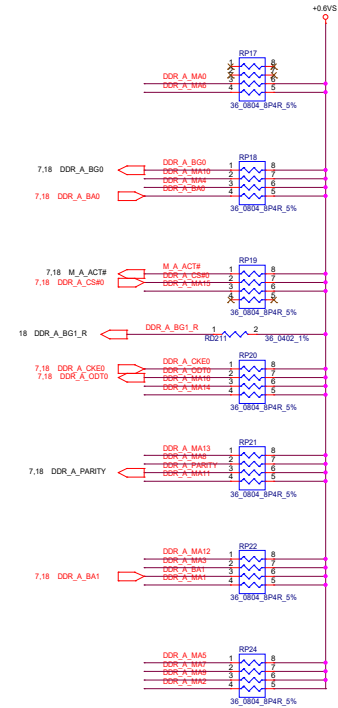
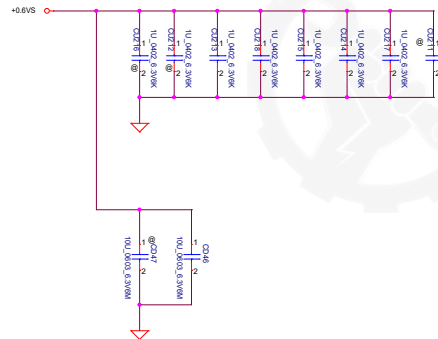
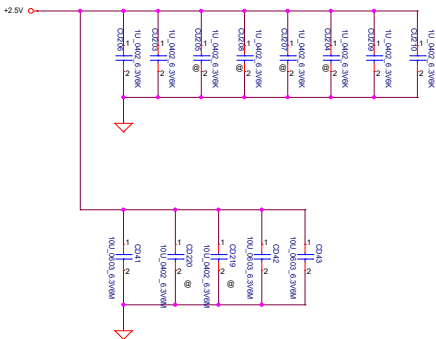
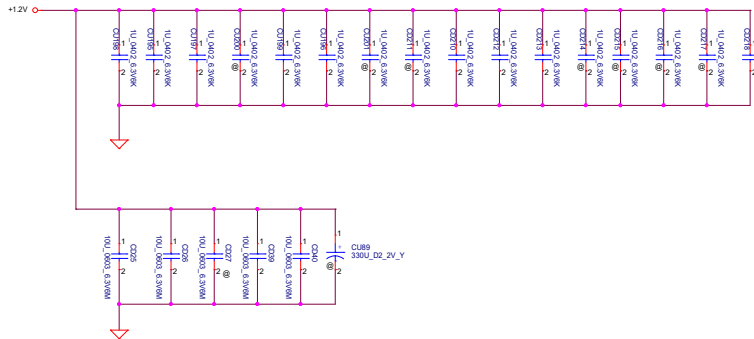


Security Classification		Compal Secret Data		Compal Electronics, Inc.	
Issued Date	2017/5/3	Deciphered Date	2017/6/2	Title	
				SKL-U(12/12)CFG,RSVD	
THIS SHEET OF ENGINEERING DRAWING IS THE PROPRIETARY PROPERTY OF COMPAL ELECTRONICS, INC. AND CONTAINS CONFIDENTIAL AND TRADE SECRET INFORMATION. THIS SHEET MAY NOT BE TRANSFERRED FROM THE CUSTODY OF THE COMPETENT DIVISION OF R&D DEPARTMENT EXCEPT AS AUTHORIZED BY COMPAL ELECTRONICS, INC. NEITHER THIS SHEET NOR THE INFORMATION IT CONTAINS MAY BE USED BY OR DISCLOSED TO ANY THIRD PARTY WITHOUT PRIOR WRITTEN CONSENT OF COMPAL ELECTRONICS, INC.				Size Custom	Document Number
				LA-F661P	
				Date:	Wednesday, October 18, 2017
				Sheet	17 of 61
				Rev	0.3

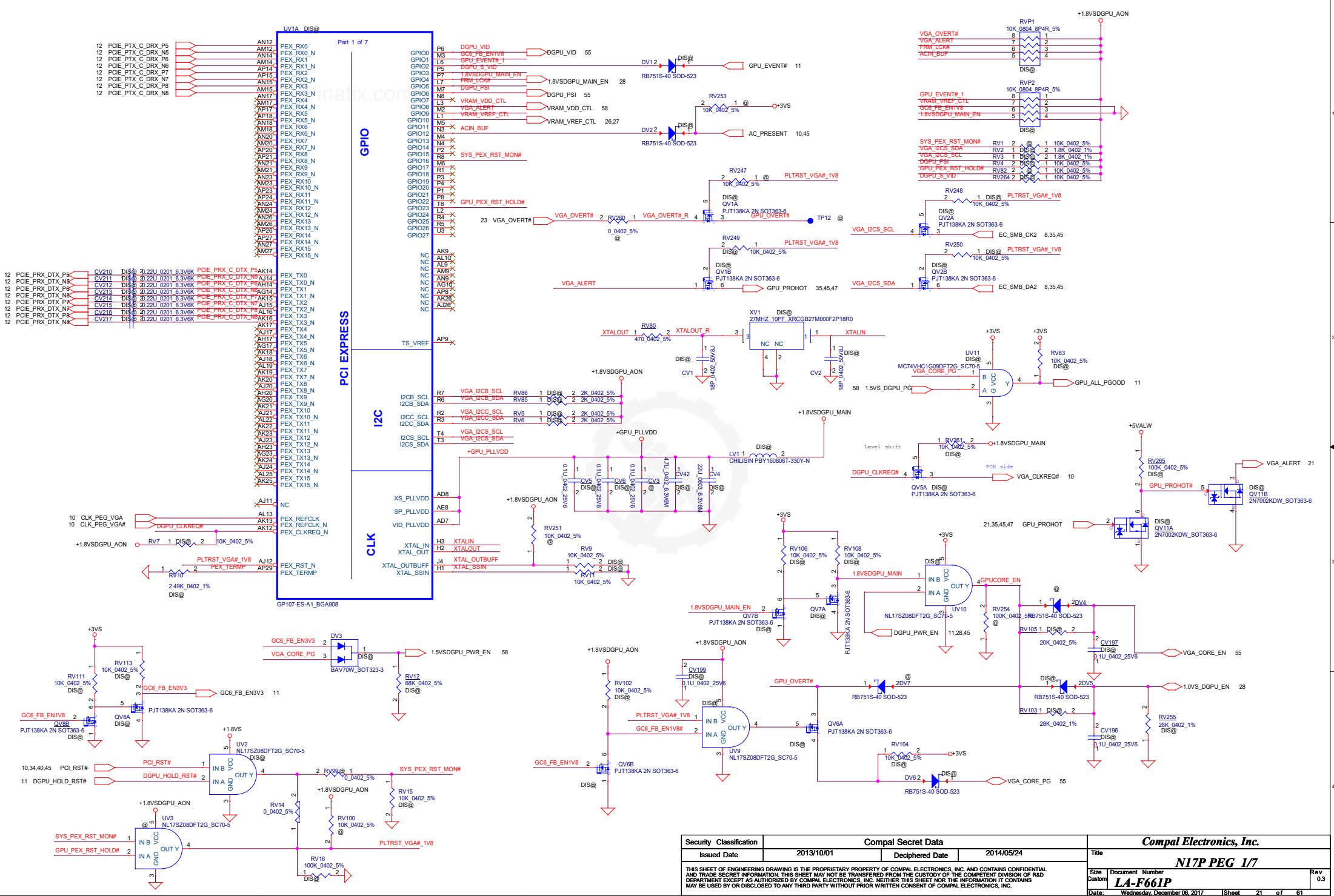


7.18 DDR_A_MA0.14

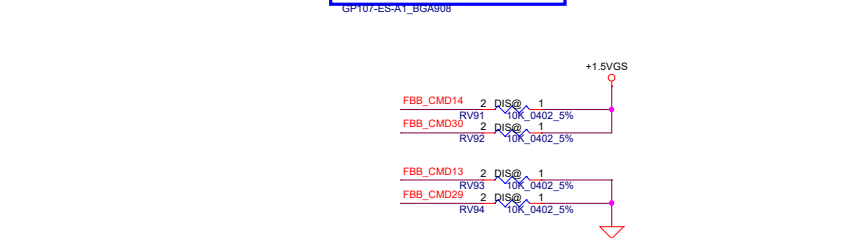
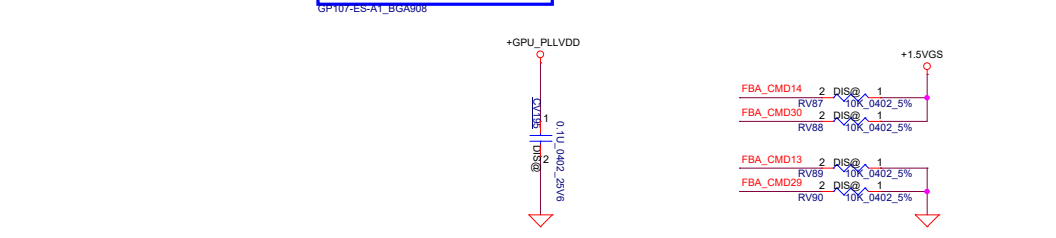
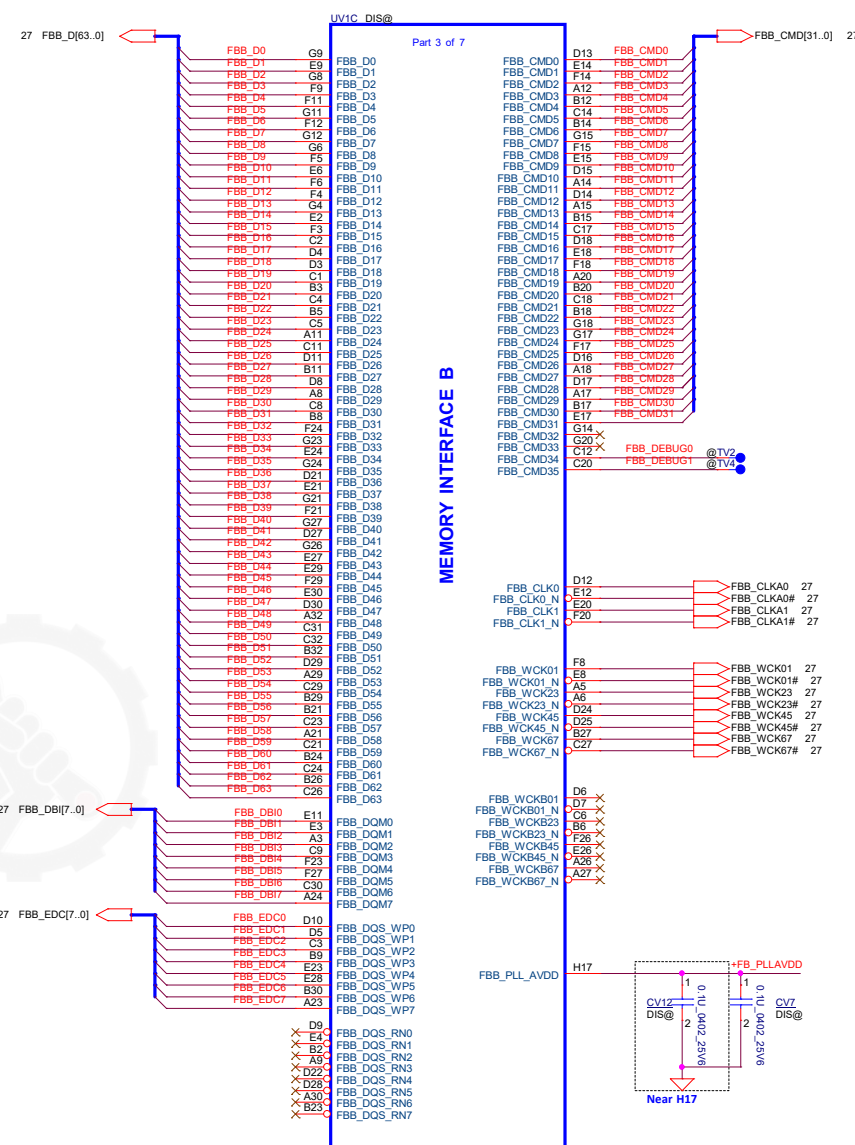
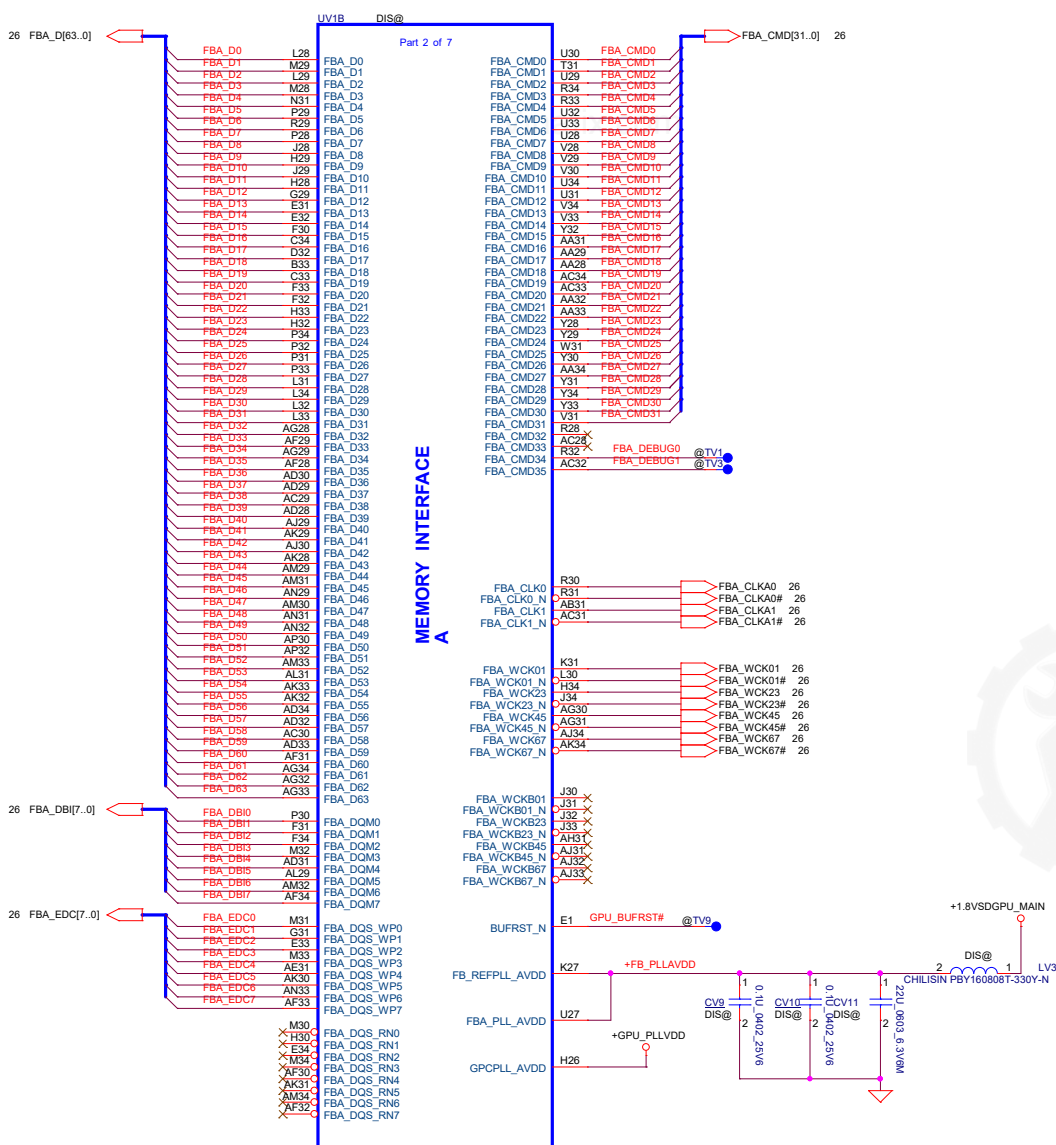
Vinafix.com

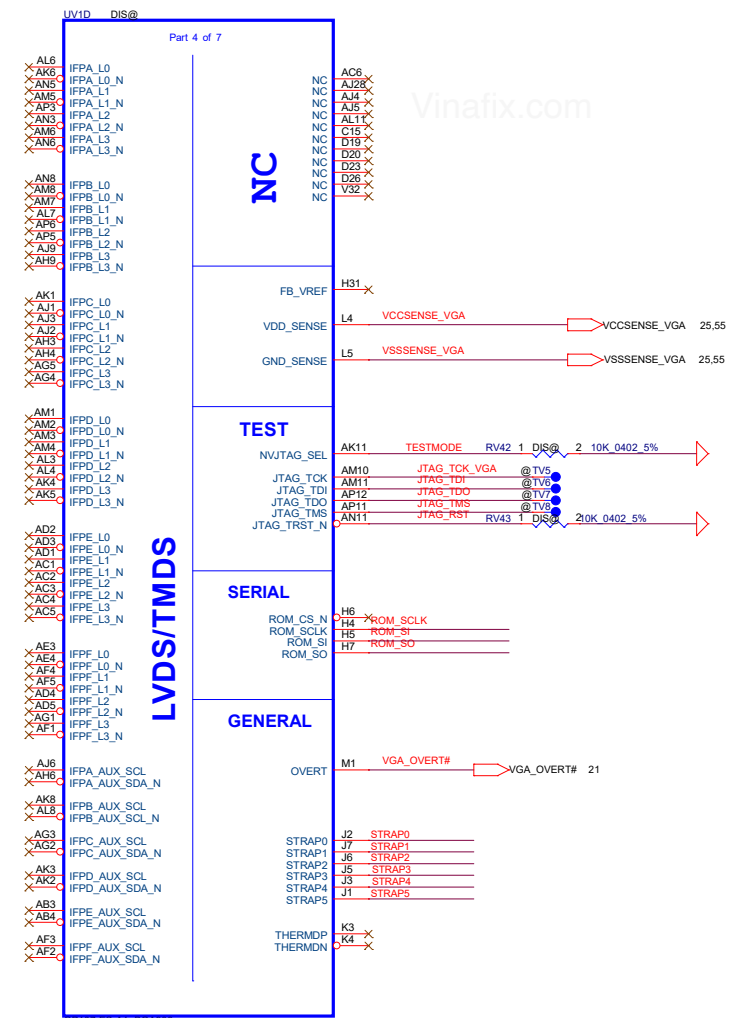
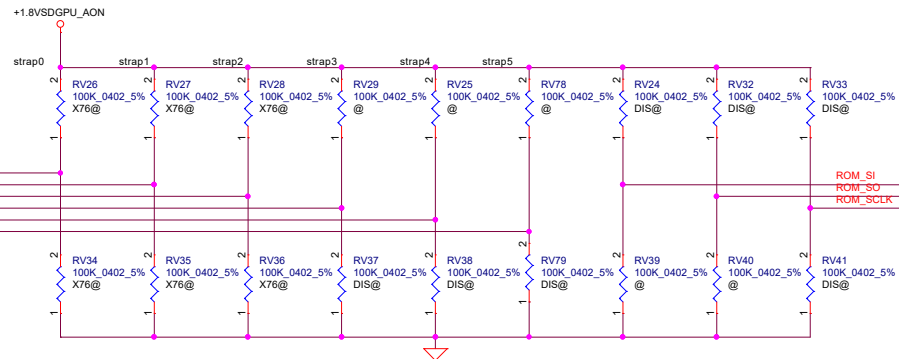


LAF611 Security Classification		Compal Secret Data		Title	
Issued Date	2014/02/14	Deciphered Date	2015/02/14	DDR4 ON BOARD CHIPS	
THIS SHEET OF ENGINEERING DRAWING IS THE PROPRIETARY PROPERTY OF COMPAL ELECTRONICS, INC. AND CONTAINS CONFIDENTIAL AND TRADE SECRET INFORMATION. THIS SHEET MAY NOT BE TRANSFERRED FROM THE CUSTODY OF THE COMPETENT DIVISION OF R&D DEPARTMENT EXCEPT AS AUTHORIZED BY COMPAL ELECTRONICS, INC. NEITHER THIS SHEET NOR THE INFORMATION IT CONTAINS MAY BE USED BY OR DISCLOSED TO ANY THIRD PARTY WITHOUT PRIOR WRITTEN CONSENT OF COMPAL ELECTRONICS, INC.					
Size	Custom	Document Number	867		03
Date	Wednesday, October 18, 2017	Sheet	18	of	81

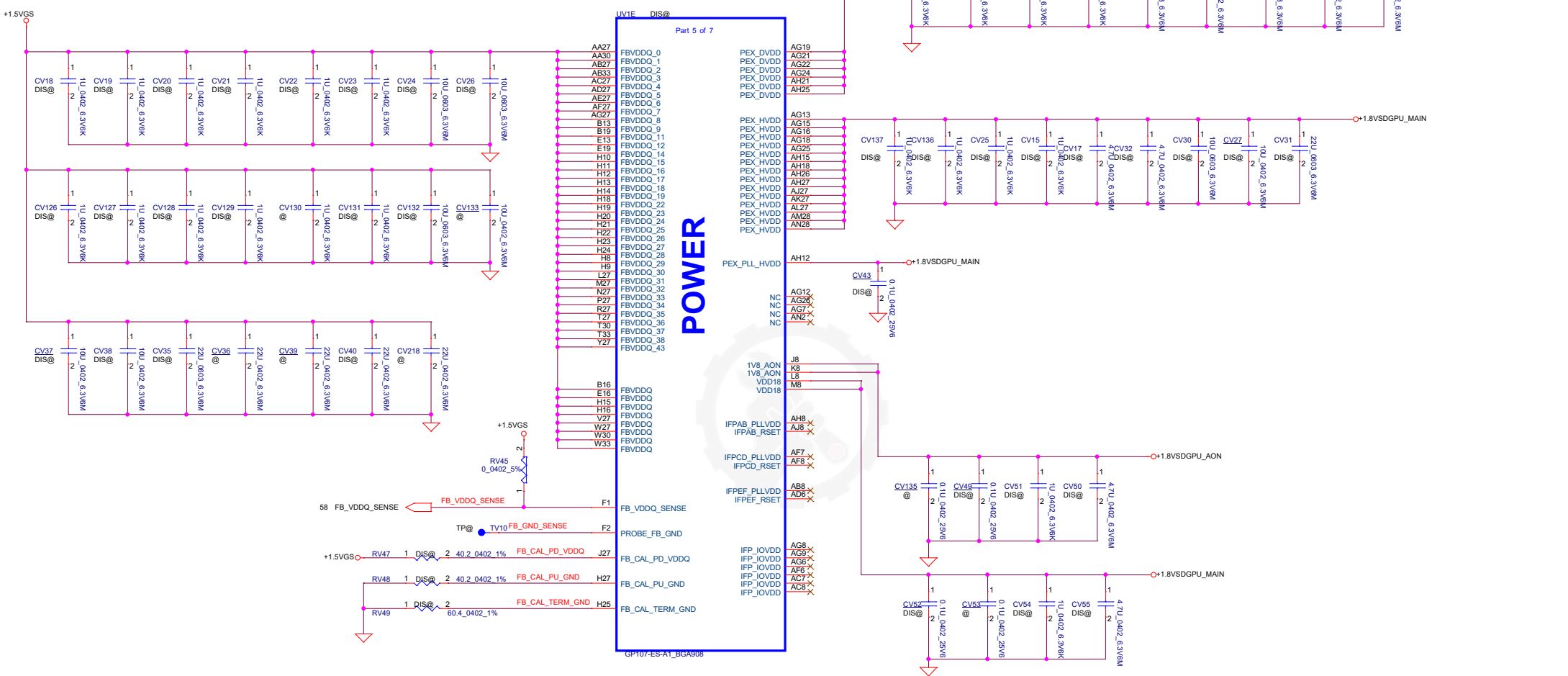


Security Classification	Compal Secret Data		Title	
Issued Date	2013/10/01	Deciphered Date	2014/05/24	N17P PEG 1/7
THIS SHEET OF ENGINEERING DRAWING IS THE PROPRIETARY PROPERTY OF COMPAL ELECTRONICS, INC. AND CONTAINS CONFIDENTIAL AND TRADE SECRET INFORMATION. THIS SHEET MAY NOT BE TRANSFERRED FROM THE CUSTODY OF THE COMPETENT DIVISION OF R&D DEPARTMENT EXCEPT AS AUTHORIZED BY COMPAL ELECTRONICS, INC. NEITHER THIS SHEET NOR THE INFORMATION IT CONTAINS MAY BE USED BY OR DISCLOSED TO ANY THIRD PARTY WITHOUT PRIOR WRITTEN CONSENT OF COMPAL ELECTRONICS, INC.				
Size	Document Number	Date:		Rev
Custom	LA-F661P	Wednesday, December 08, 2017		0.3
		Sheet	21	of 61



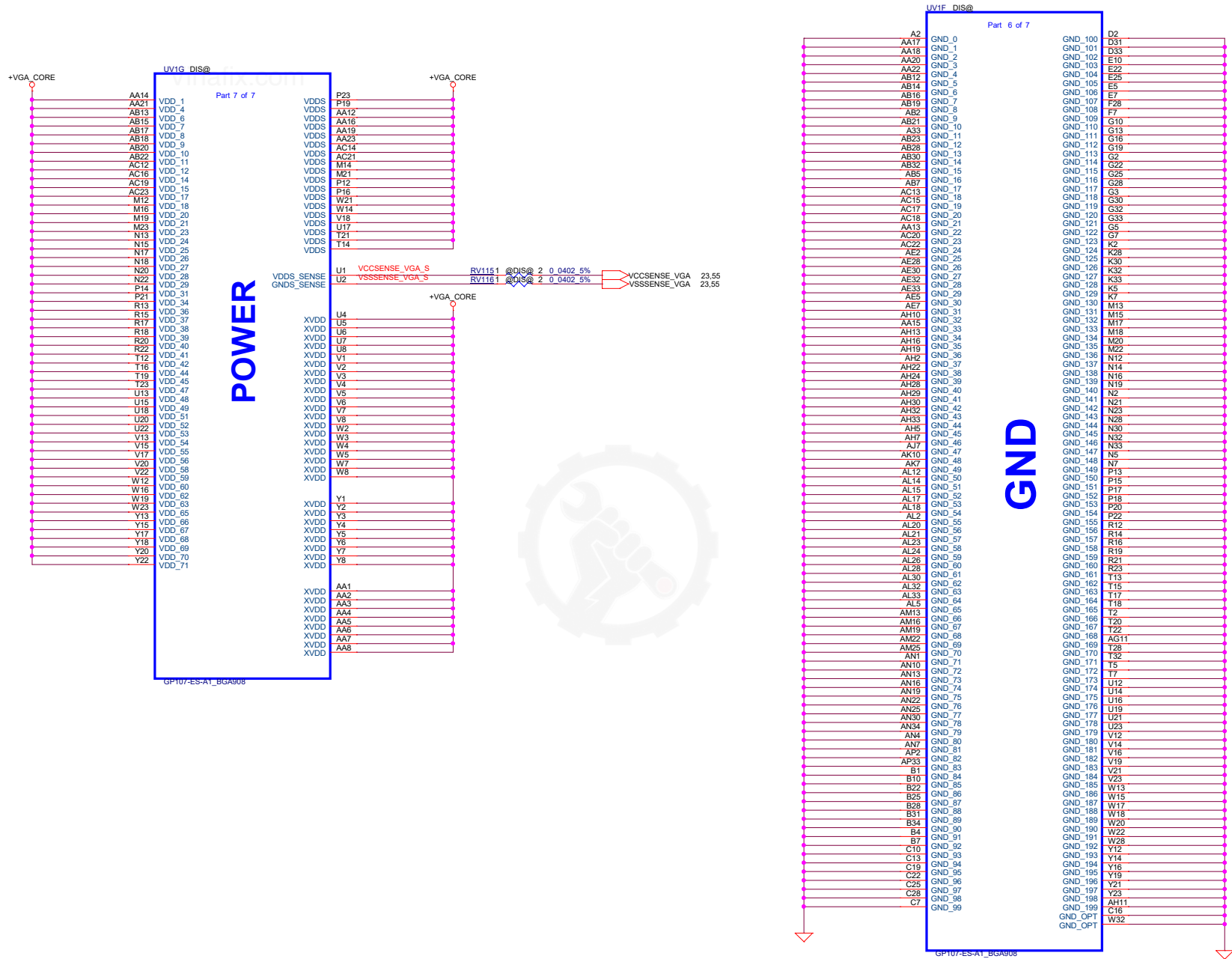


Security Classification		Compal Secret Data		Title	
Issued Date	2013/10/01	Deciphered Date	2014/05/24	N17P STRAP 3/7	
THIS SHEET OF ENGINEERING DRAWING IS THE PROPRIETARY PROPERTY OF COMPAL ELECTRONICS, INC. AND CONTAINS CONFIDENTIAL AND TRADE SECRET INFORMATION. THIS SHEET MAY NOT BE TRANSFERRED FROM THE CUSTODY OF THE COMPETENT DIVISION OF R&D DEPARTMENT EXCEPT AS AUTHORIZED BY COMPAL ELECTRONICS, INC. NEITHER THIS SHEET, NOR THE INFORMATION IT CONTAINS MAY BE USED BY OR DISCLOSED TO ANY THIRD PARTY WITHOUT PRIOR WRITTEN CONSENT OF COMPAL ELECTRONICS, INC.				Size	Document Number
				Custom	LA-F661P
				Date:	Wednesday, October 18, 2017
				Sheet	23 of 61
				Rev	0.3

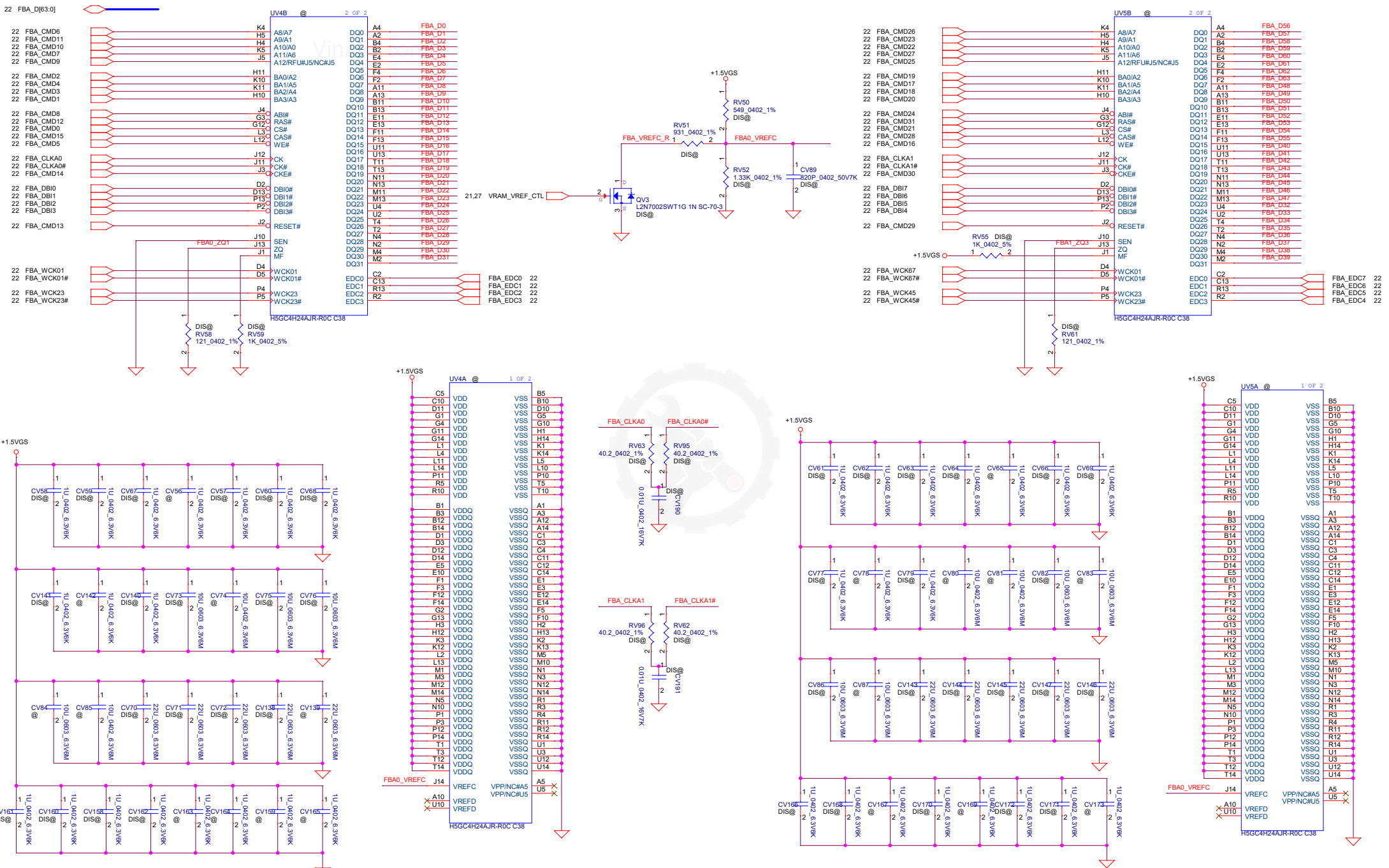


POWER

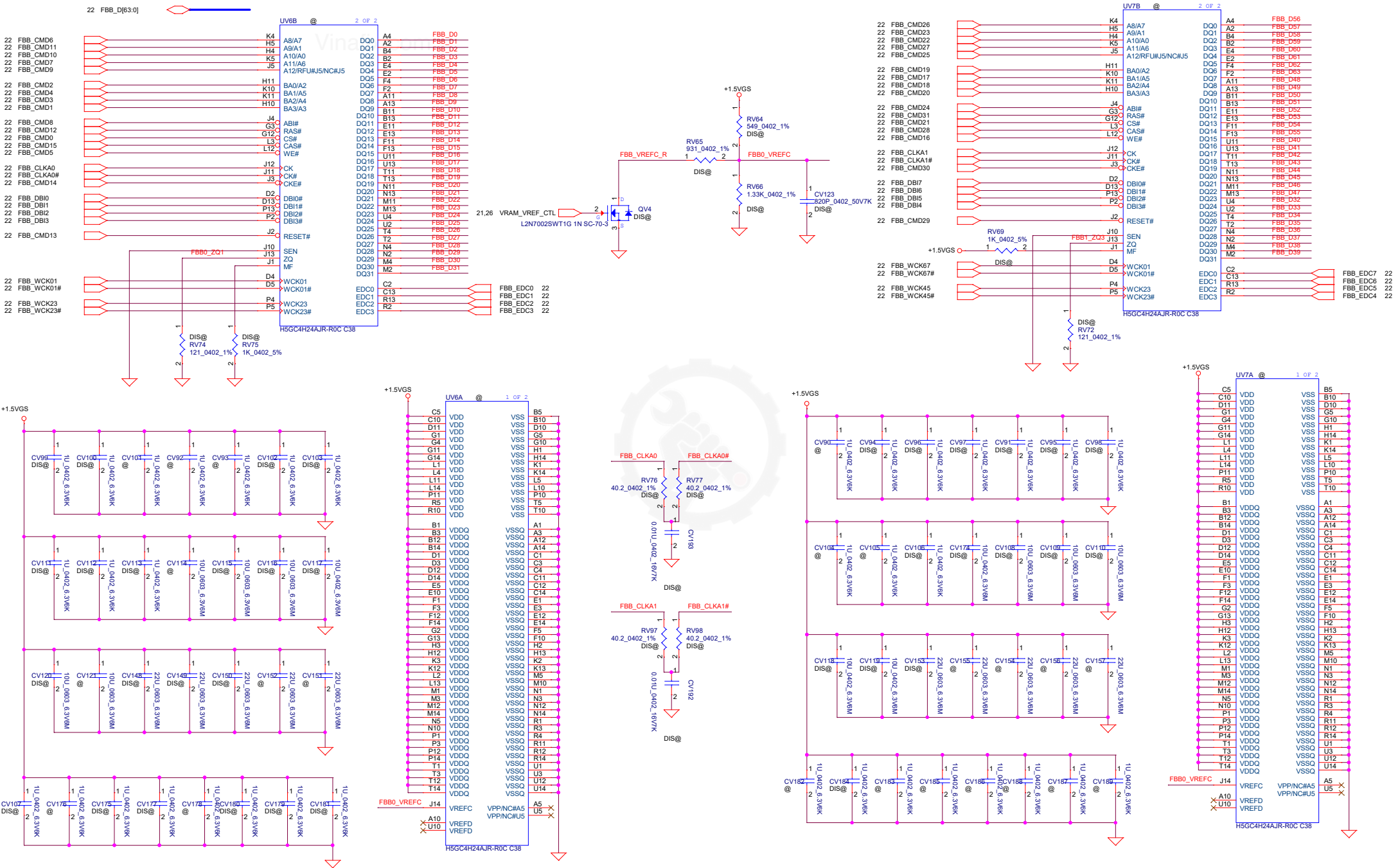
Security Classification		Compal Secret Data		Title	
Issued Date		Deciphered Date		Compal Electronics, Inc.	
2013/10/01		2014/05/24		N17P POWER 4/7	
THIS SHEET OF ENGINEERING DRAWING IS THE PROPRIETARY PROPERTY OF COMPAL ELECTRONICS, INC. AND CONTAINS CONFIDENTIAL AND TRADE SECRET INFORMATION. THIS SHEET MAY NOT BE TRANSFERRED FROM THE CUSTODY OF THE COMPETENT DIVISION OF R&D DEPARTMENT EXCEPT AS AUTHORIZED BY COMPAL ELECTRONICS, INC. NEITHER THIS SHEET, NOR THE INFORMATION IT CONTAINS MAY BE USED BY OR DISCLOSED TO ANY THIRD PARTY WITHOUT PRIOR WRITTEN CONSENT OF COMPAL ELECTRONICS, INC.				Size	Rev
Custom	Document Number	Date		0.3	
LA-F661P		Wednesday, October 18, 2017		Sheet	of 61
				24	61



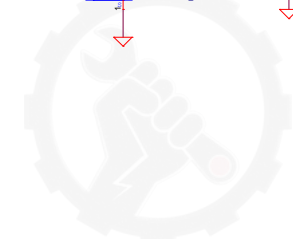
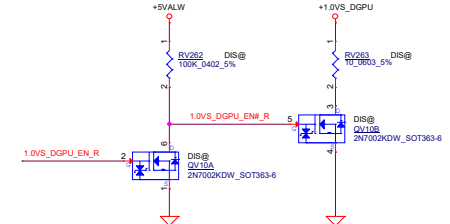
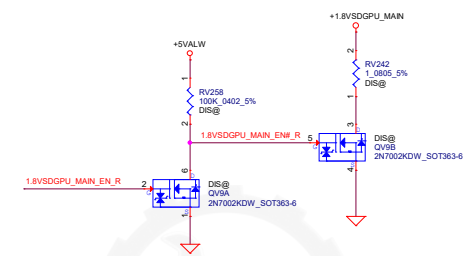
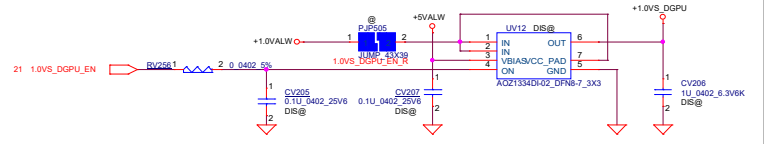
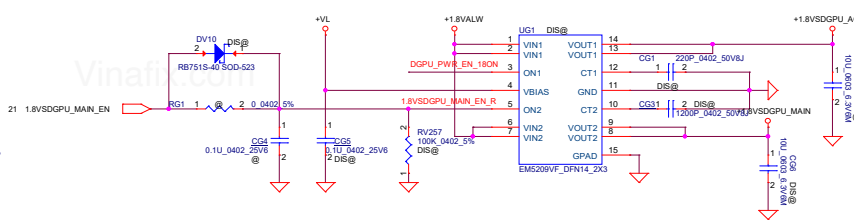
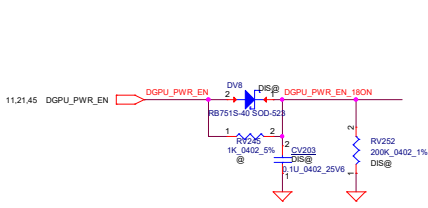
Security Classification		Compal Secret Data		Title	
Issued Date	2013/10/01	Deciphered Date	2014/05/24	Compal Electronics, Inc.	
THIS SHEET OF ENGINEERING DRAWING IS THE PROPRIETARY PROPERTY OF COMPAL ELECTRONICS, INC. AND CONTAINS CONFIDENTIAL AND TRADE SECRET INFORMATION. THIS SHEET MAY NOT BE TRANSFERRED FROM THE CUSTODY OF THE COMPETENT DIVISION OF R&D DEPARTMENT EXCEPT AS AUTHORIZED BY COMPAL ELECTRONICS, INC. NEITHER THIS SHEET, NOR THE INFORMATION IT CONTAINS MAY BE USED BY OR DISCLOSED TO ANY THIRD PARTY WITHOUT PRIOR WRITTEN CONSENT OF COMPAL ELECTRONICS, INC.				N17P POWER & GND 5/7	
Size	Custom	Document Number	LA-F661P	Rev	0.3
Date:	Wednesday, October 18, 2017	Sheet	25	of	61



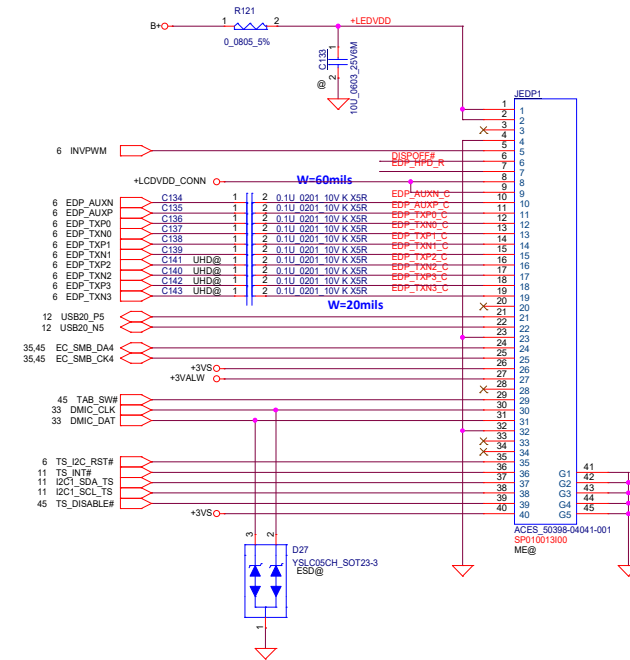
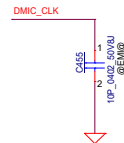
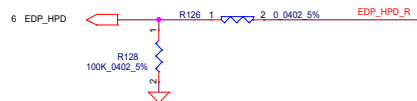
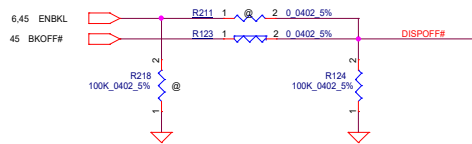
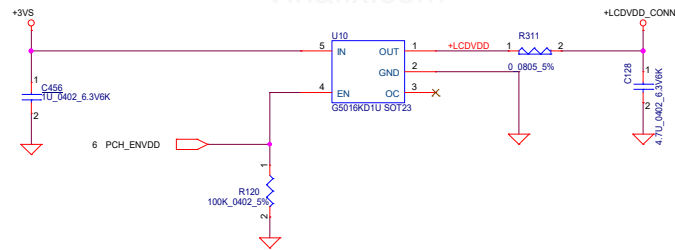
Security Classification		Compal Secret Data		Title	
Issued Date	2016/01/29	Deciphered Date	2017/01/10	Compal Electronics, Inc.	
THIS SHEET OF ENGINEERING DRAWING IS THE PROPRIETARY PROPERTY OF COMPAL ELECTRONICS, INC. AND CONTAINS CONFIDENTIAL AND TRADE SECRET INFORMATION. THIS SHEET MAY NOT BE TRANSFERRED FROM THE CUSTODY OF THE COMPETENT DIVISION OF R&D DEPARTMENT EXCEPT AS AUTHORIZED BY COMPAL ELECTRONICS, INC. NEITHER THIS SHEET NOR THE INFORMATION IT CONTAINS MAY BE USED BY OR DISCLOSED TO ANY THIRD PARTY WITHOUT PRIOR WRITTEN CONSENT OF COMPAL ELECTRONICS, INC.				Rev 0.3	
Size	Document Number		N17P GDDR5 CHA 6/7		
Customer	LA-F661P		Date: Wednesday, October 18, 2017		
Sheet		26		of 61	



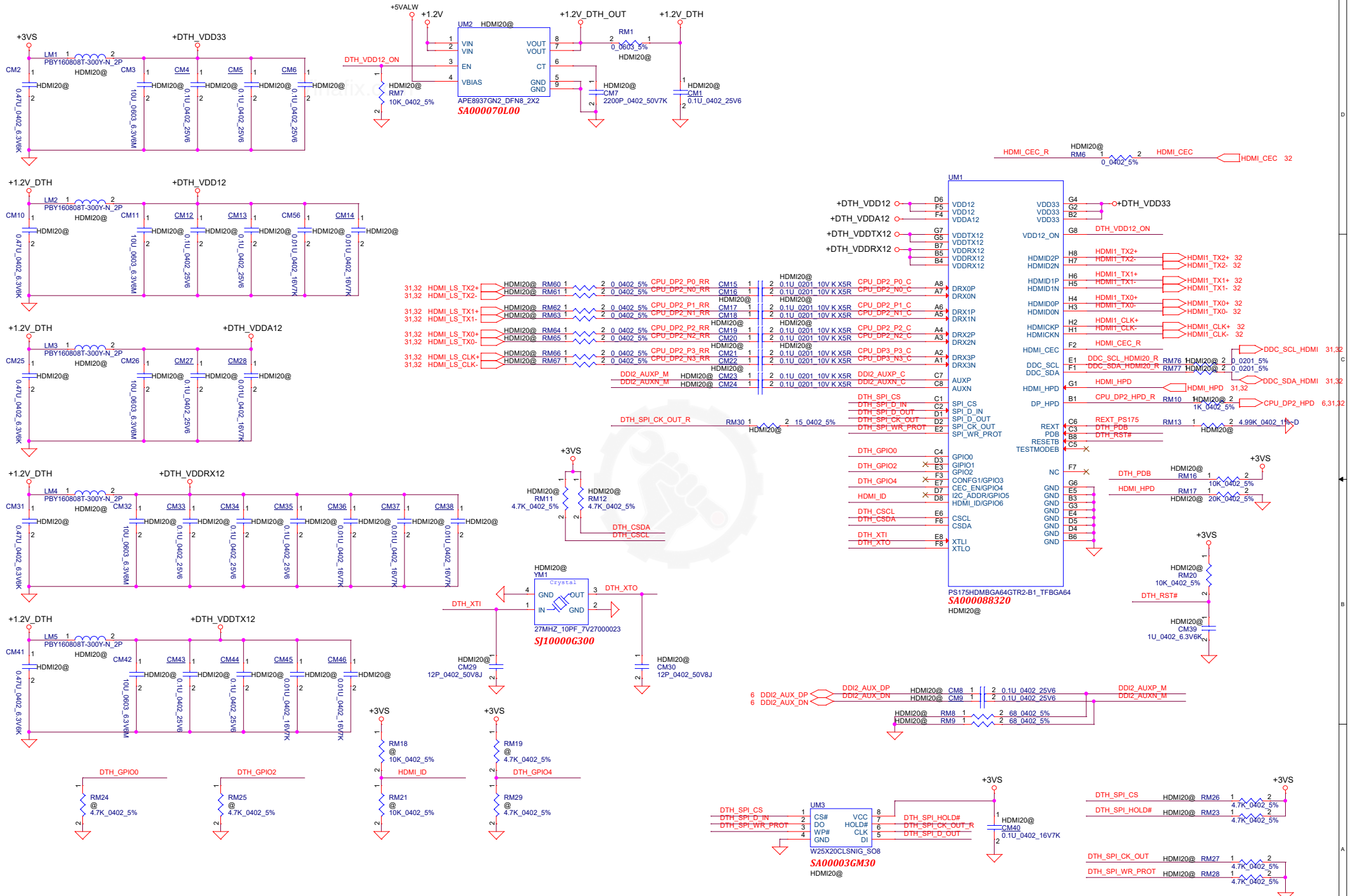
Security Classification		Compal Secret Data		Title	
Issued Date	2016/01/29	Deciphered Date	2017/01/10	Compal Electronics, Inc.	
THIS SHEET OF ENGINEERING DRAWING IS THE PROPRIETARY PROPERTY OF COMPAL ELECTRONICS, INC. AND CONTAINS CONFIDENTIAL AND TRADE SECRET INFORMATION. THIS SHEET MAY NOT BE TRANSFERRED FROM THE CUSTODY OF THE COMPETENT DIVISION OF R&D DEPARTMENT EXCEPT AS AUTHORIZED BY COMPAL ELECTRONICS, INC. NEITHER THIS SHEET, NOR THE INFORMATION IT CONTAINS MAY BE USED BY OR DISCLOSED TO ANY THIRD PARTY WITHOUT PRIOR WRITTEN CONSENT OF COMPAL ELECTRONICS, INC.				Rev 0.3	
Customer	LA-F661P	Document Number	N17P GDDR5 CHB 7/7	Date: Wednesday, October 18, 2017	
Sheet	27	of 61			

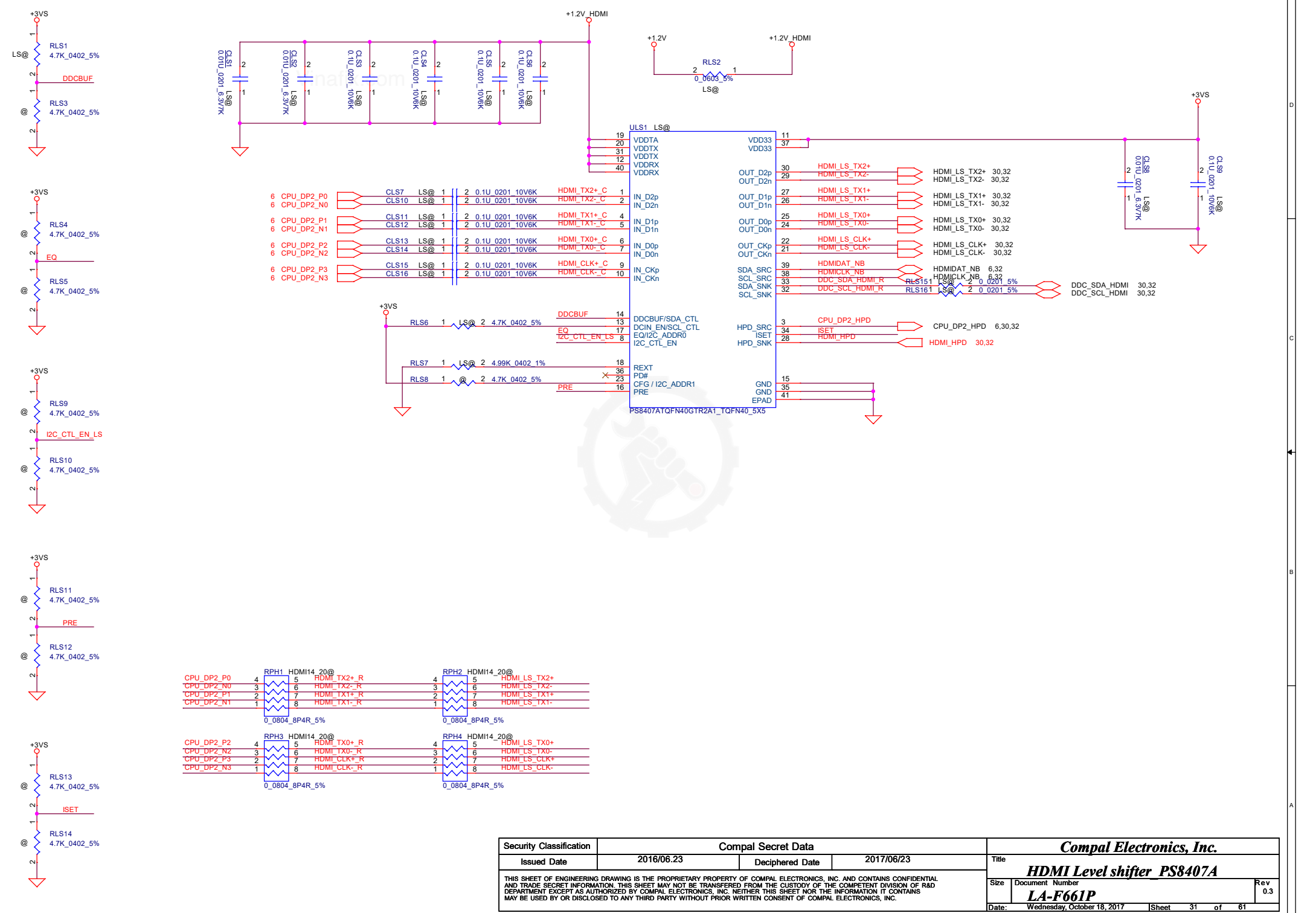


Security Classification	Compal Secret Data		Compal Electronics, Inc.	
Issued Date	2016/4/19	Deciphered Date	2017/4/19	Title
THIS SHEET OF ENGINEERING DRAWING IS THE PROPRIETARY PROPERTY OF COMPAL ELECTRONICS, INC. AND CONTAINS CONFIDENTIAL AND TRADE SECRET INFORMATION. THIS SHEET MAY NOT BE TRANSFERRED FROM THE CUSTODY OF THE COMPETENT DIVISION OF R&D DEPARTMENT EXCEPT AS AUTHORIZED BY COMPAL ELECTRONICS, INC. WITHIN THE SHEET THE INFORMATION IT CONTAINS MAY BE USED BY OR DISCLOSED TO ANY THIRD PARTY WITHOUT PRIOR WRITTEN CONSENT OF COMPAL ELECTRONICS, INC.				Rev
Date: Wednesday, December 06, 2017				Sheet 28 of 61

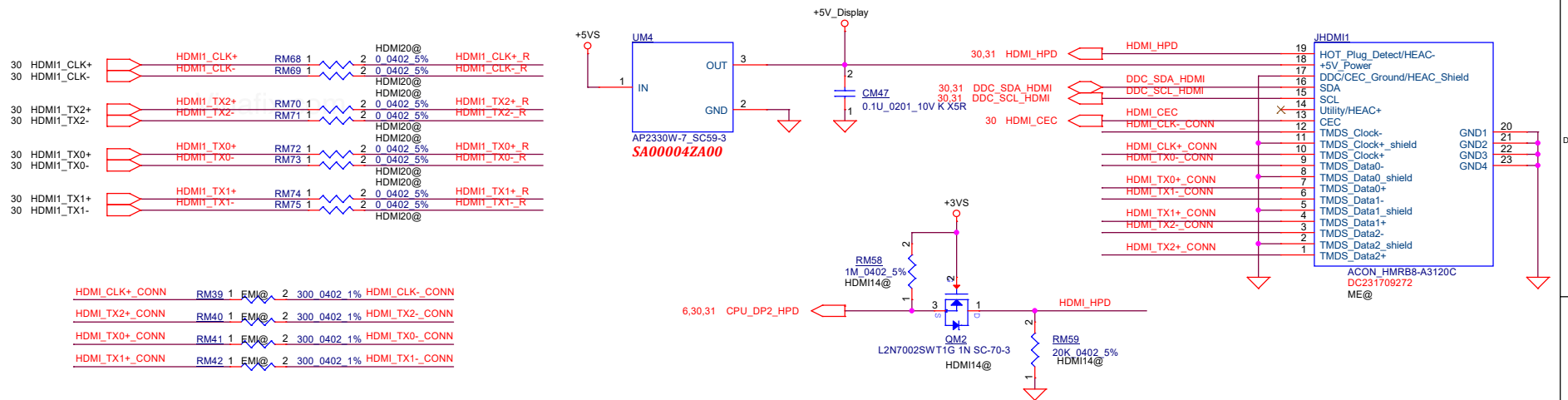


Security Classification	Compal Secret Data		Title	
Issued Date	2017/5/3	Deciphered Date	2017/6/2	Compal Electronics, Inc.
THIS SHEET OF ENGINEERING DRAWING IS THE PROPRIETARY PROPERTY OF COMPAL ELECTRONICS, INC. AND CONTAINS CONFIDENTIAL AND TRADE SECRET INFORMATION. THIS SHEET MAY NOT BE TRANSFERRED FROM THE CUSTODY OF THE COMPETENT DIVISION OF RAD DEPARTMENT EXCEPT AS AUTHORIZED BY COMPAL ELECTRONICS, INC. NEITHER THIS SHEET NOR THE INFORMATION IT CONTAINS MAY BE USED BY OR DISCLOSED TO ANY THIRD PARTY WITHOUT PRIOR WRITTEN CONSENT OF COMPAL ELECTRONICS, INC.				eDP / Camera
Size	Document Number	Rev		
C	LA-F661P	0.3		
Date:	Wednesday, October 18, 2017	Sheet	29 of 61	



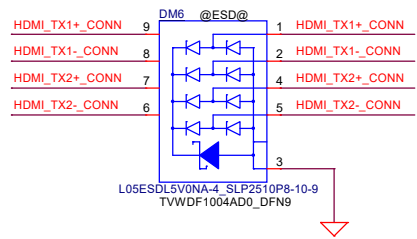
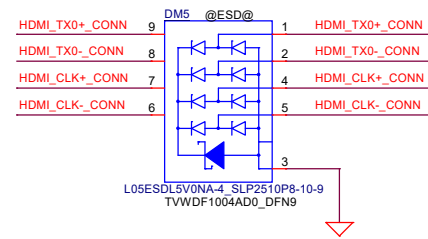
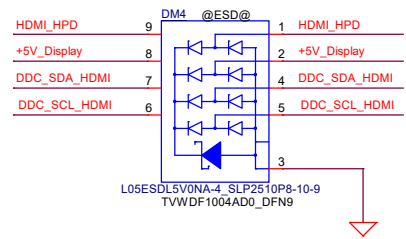
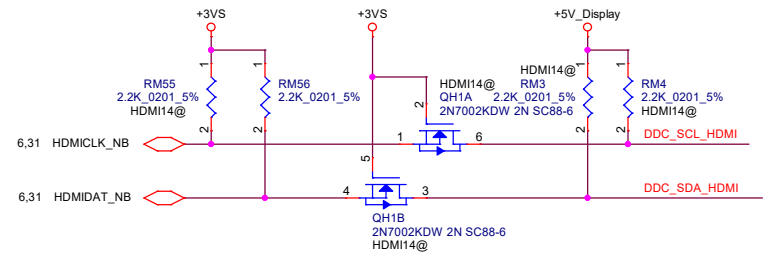
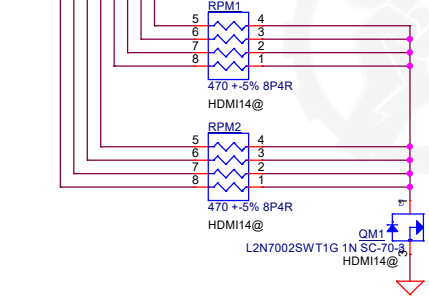


Security Classification	Compal Secret Data		Compal Electronics, Inc. HDMI Level shifter PS8407A	
Issued Date	2016/06.23	Deciphered Date		
THIS SHEET OF ENGINEERING DRAWING IS THE PROPRIETARY PROPERTY OF COMPAL ELECTRONICS, INC. AND CONTAINS CONFIDENTIAL AND TRADE SECRET INFORMATION. THIS SHEET MAY NOT BE TRANSFERRED FROM THE CUSTODY OF THE COMPETENT DIVISION OF R&D DEPARTMENT EXCEPT AS AUTHORIZED BY COMPAL ELECTRONICS, INC. NEITHER THIS SHEET NOR THE INFORMATION IT CONTAINS MAY BE USED BY OR DISCLOSED TO ANY THIRD PARTY WITHOUT PRIOR WRITTEN CONSENT OF COMPAL ELECTRONICS, INC.			Title HDMI Level shifter PS8407A	Rev 0.3
			Size LA-F661P	Date Wednesday, October 18, 2017
			Sheet 31	of 61

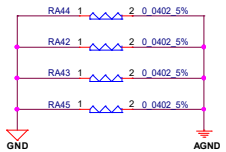
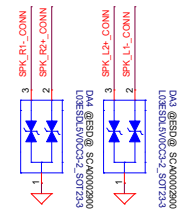
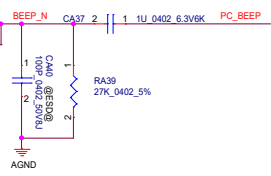
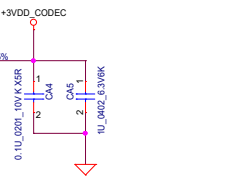
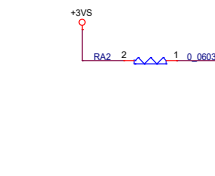
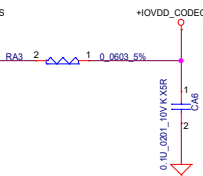
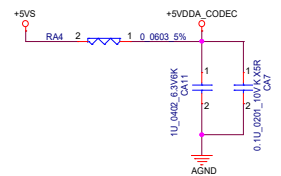
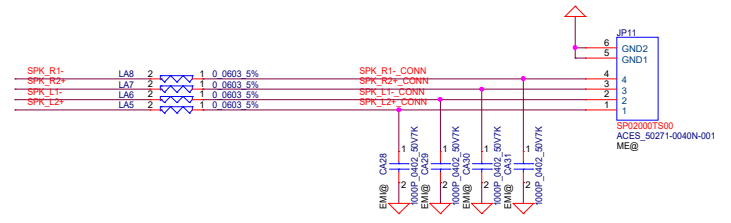
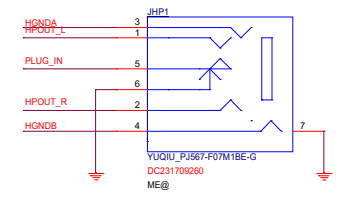
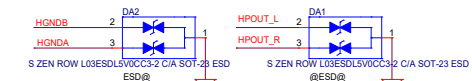
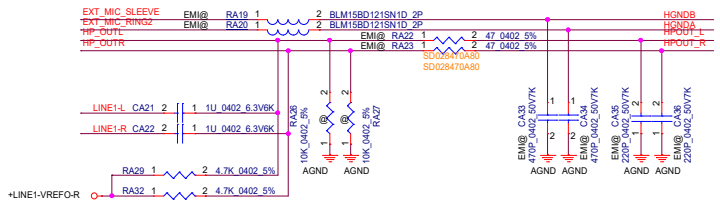
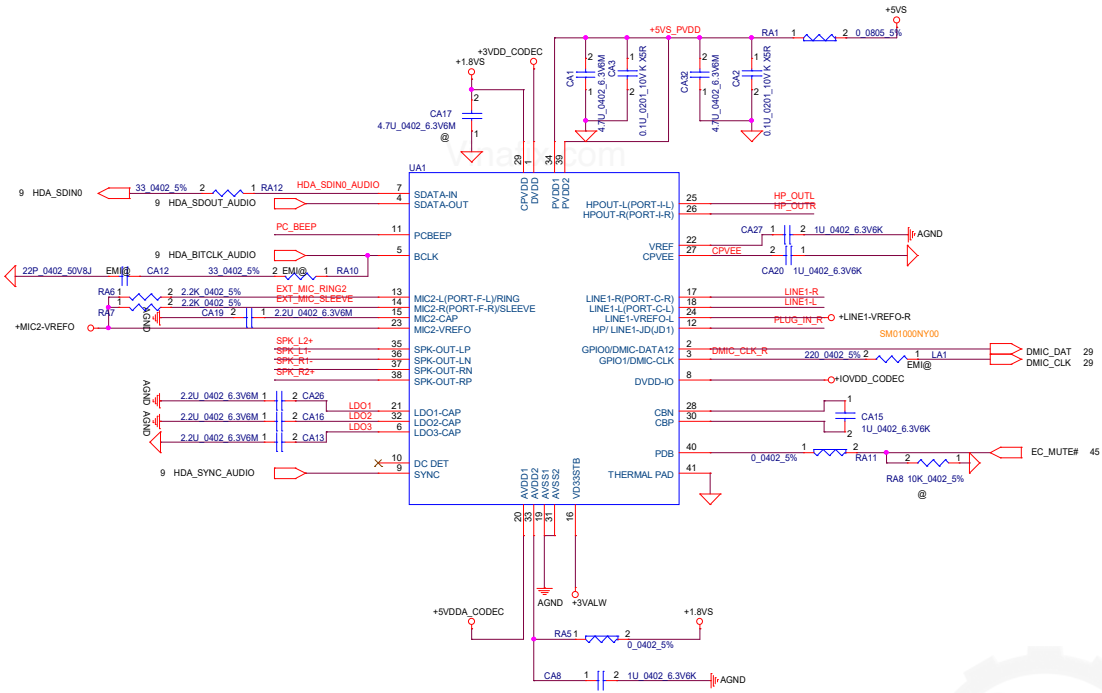


- HDMI_CLK+_CONN RM39 1 EMJ@ 2 300 0402 1% HDMI_CLK-_CONN
- HDMI_TX2+_CONN RM40 1 EMJ@ 2 300 0402 1% HDMI_TX2-_CONN
- HDMI_TX0+_CONN RM41 1 EMJ@ 2 300 0402 1% HDMI_TX0-_CONN
- HDMI_TX1+_CONN RM42 1 EMJ@ 2 300 0402 1% HDMI_TX1-_CONN

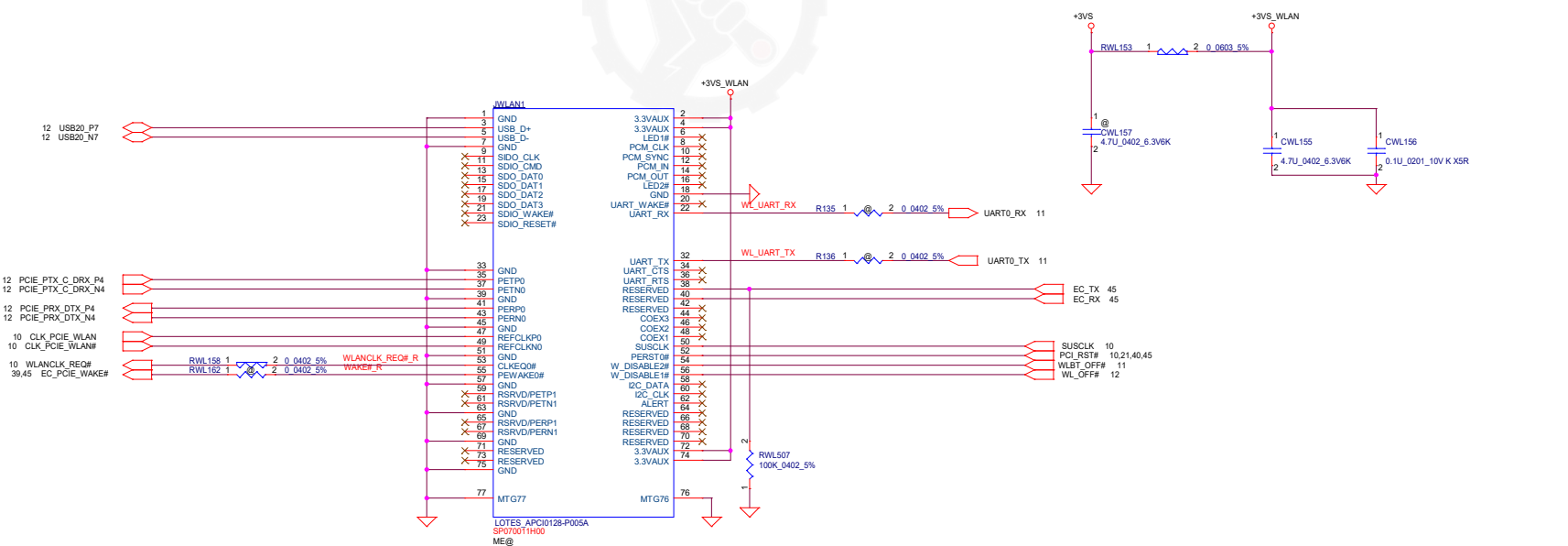
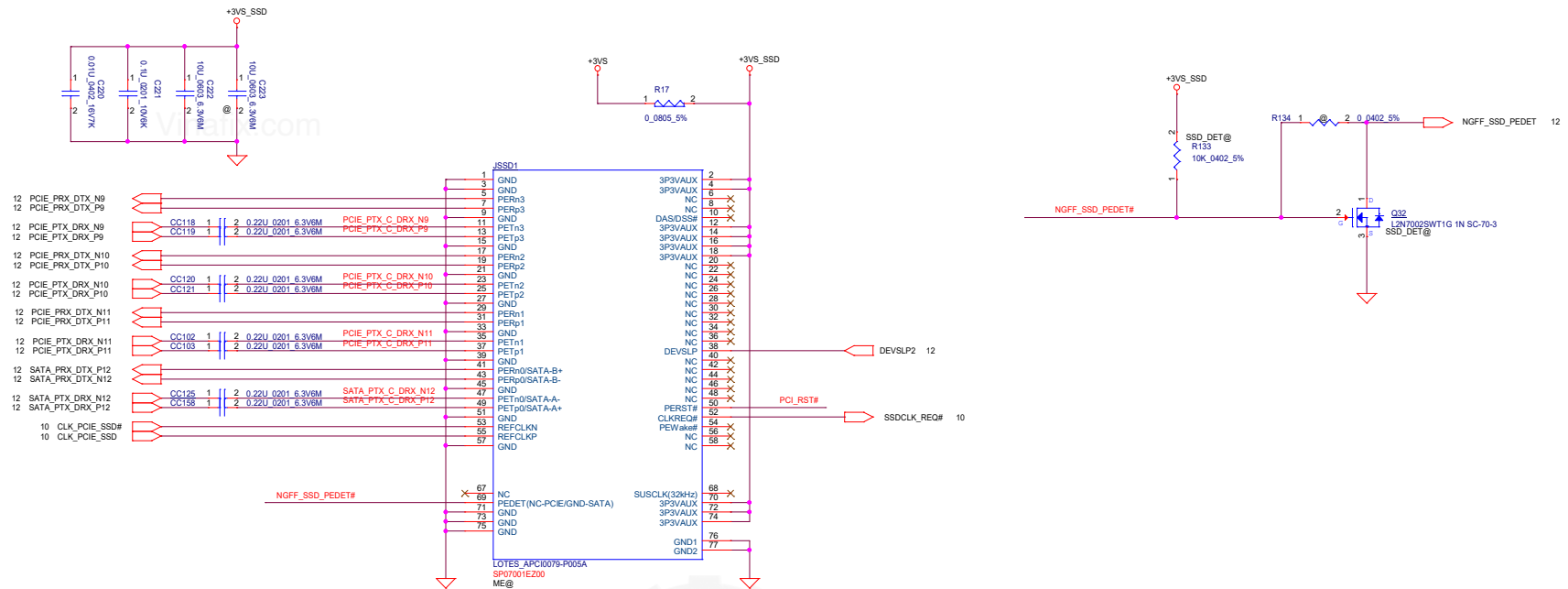
- HDMI14@ CM48 1 2 0.1U 0201 10V K X5R HDMI1_TX1+_R RM45 1 EMJ@ 2 8.2 0402 1% HDMI_TX1+_CONN
- HDMI14@ CM49 1 2 0.1U 0201 10V K X5R HDMI1_TX1-_R RM46 1 EMJ@ 2 8.2 0402 1% HDMI_TX1-_CONN
- HDMI14@ CM50 1 2 0.1U 0201 10V K X5R HDMI1_TX0+_R RM47 1 EMJ@ 2 8.2 0402 1% HDMI_TX0+_CONN
- HDMI14@ CM51 1 2 0.1U 0201 10V K X5R HDMI1_TX0-_R RM48 1 EMJ@ 2 8.2 0402 1% HDMI_TX0-_CONN
- HDMI14@ CM52 1 2 0.1U 0201 10V K X5R HDMI1_TX2+_R RM49 1 EMJ@ 2 8.2 0402 1% HDMI_TX2+_CONN
- HDMI14@ CM53 1 2 0.1U 0201 10V K X5R HDMI1_TX2-_R RM50 1 EMJ@ 2 8.2 0402 1% HDMI_TX2-_CONN
- HDMI14@ CM54 1 2 0.1U 0201 10V K X5R HDMI1_CK+_R RM52 1 EMJ@ 2 8.2 0402 1% HDMI_CK+_CONN
- HDMI14@ CM55 1 2 0.1U 0201 10V K X5R HDMI1_CK-_R RM54 1 EMJ@ 2 8.2 0402 1% HDMI_CK-_CONN



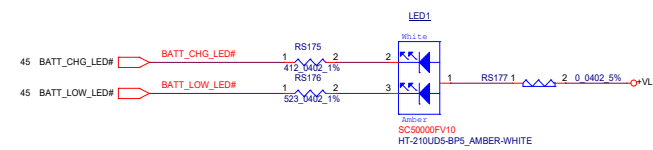
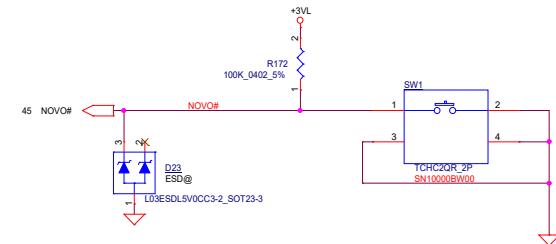
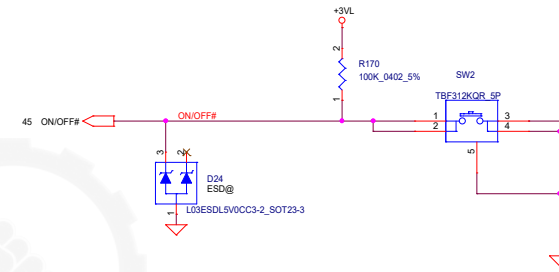
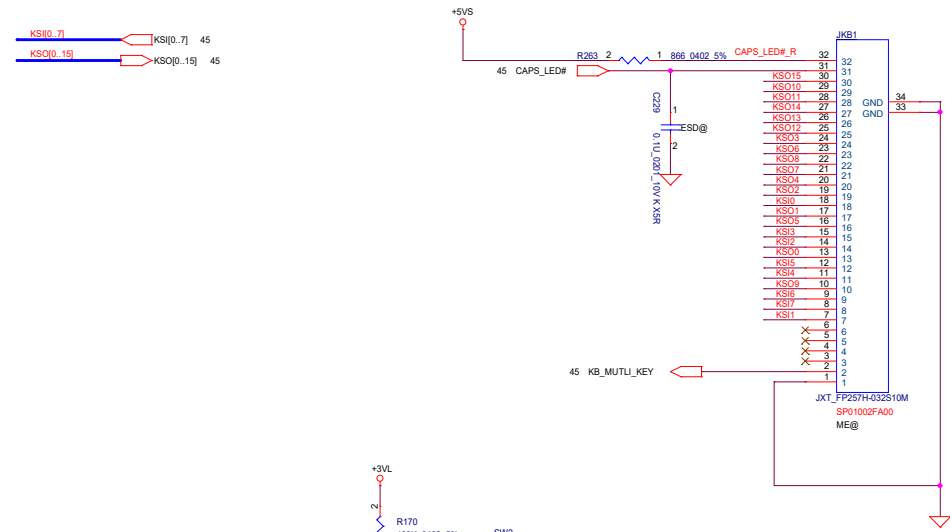
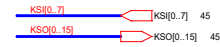
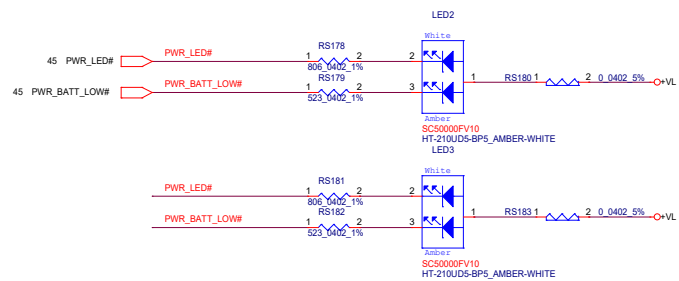
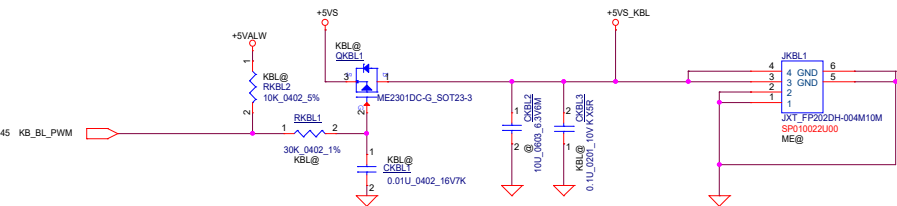
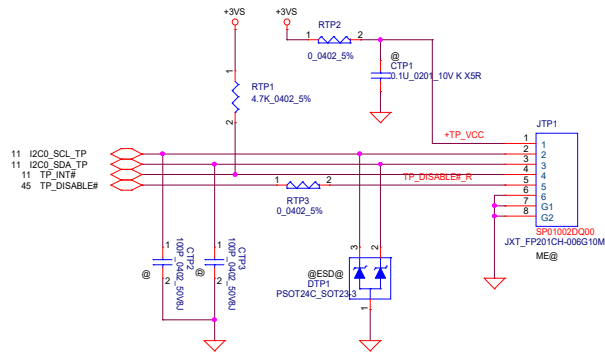
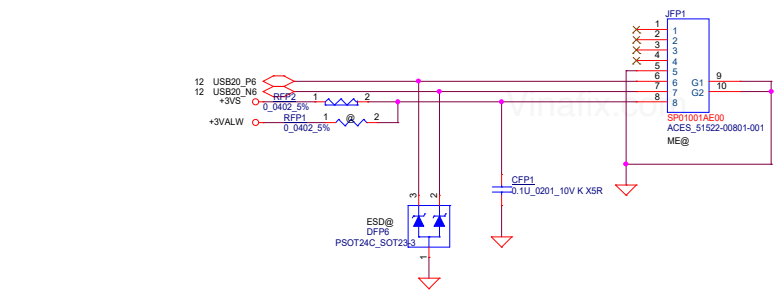
Security Classification		Compal Secret Data		Compal Electronics, Inc.	
Issued Date	2017/01/06	Deciphered Date	2018/01/06	Title	
THIS SHEET OF ENGINEERING DRAWING IS THE PROPRIETARY PROPERTY OF COMPAL ELECTRONICS, INC. AND CONTAINS CONFIDENTIAL AND TRADE SECRET INFORMATION. THIS SHEET MAY NOT BE TRANSFERRED FROM THE CUSTODY OF THE COMPETENT DIVISION OF R&D DEPARTMENT EXCEPT AS AUTHORIZED BY COMPAL ELECTRONICS, INC. NEITHER THIS SHEET NOR THE INFORMATION IT CONTAINS MAY BE USED BY OR DISCLOSED TO ANY THIRD PARTY WITHOUT PRIOR WRITTEN CONSENT OF COMPAL ELECTRONICS, INC.				HDMI	
Size	Document Number	LA-F661P		Rev	0.3
Date:	Wednesday, October 18, 2017	Sheet	32	of	61



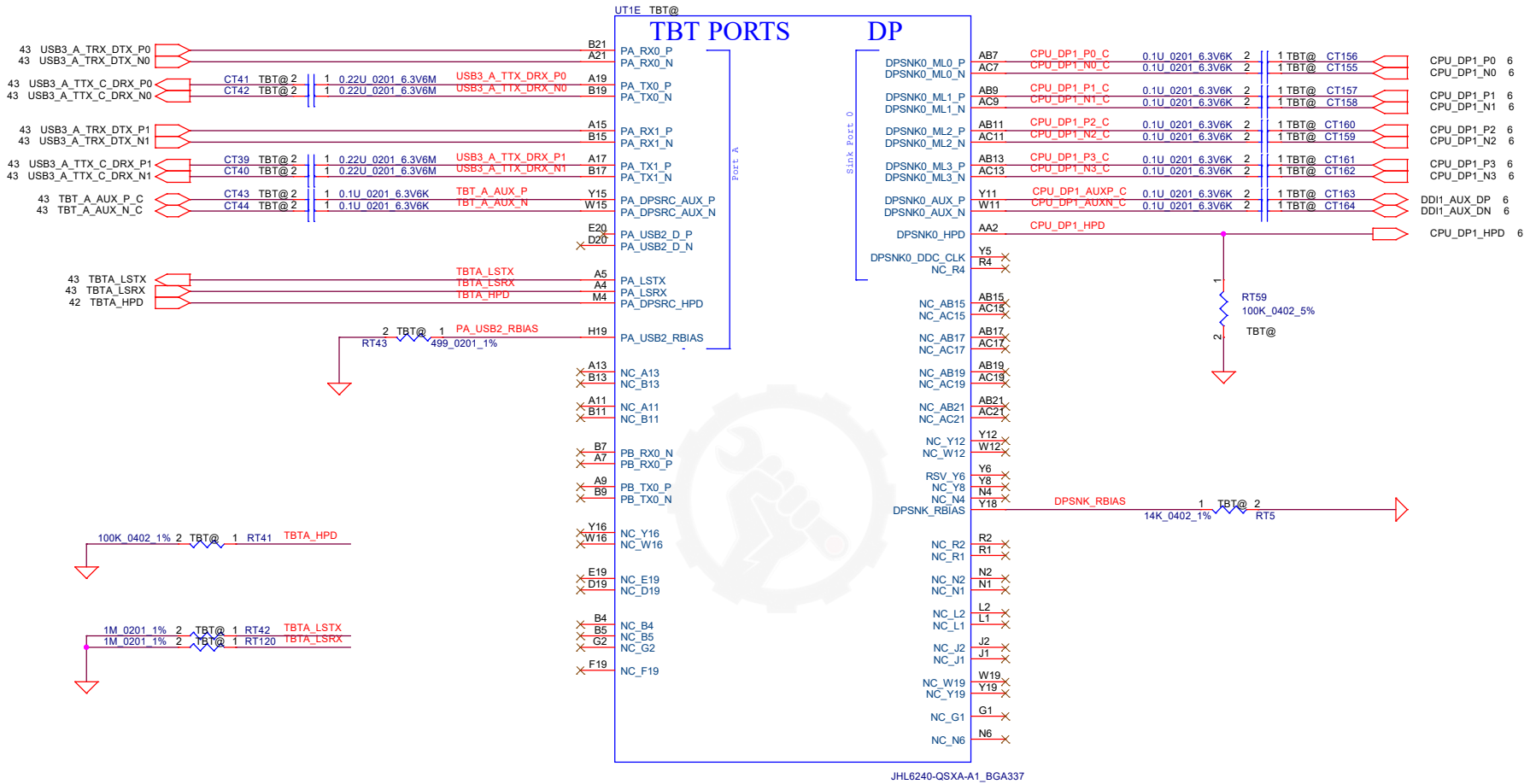
Security Classification		Compal Secret Data		Compal Electronics, Inc.	
Issued Date		Deciphered Date		Title	
2015/07/27		2016/07/27		HD Audio Codec ALC3240	
THIS SHEET OF ENGINEERING DRAWING IS THE PROPRIETARY PROPERTY OF COMPAL ELECTRONICS, INC. AND CONTAINS CONFIDENTIAL AND TRADE SECRET INFORMATION. THIS SHEET MAY NOT BE TRANSFERRED FROM THE CUSTODY OF THE COMPETENT DIVISION OF RAD DEPARTMENT EXCEPT AS AUTHORIZED BY COMPAL ELECTRONICS, INC. NEITHER THIS SHEET NOR THE INFORMATION IT CONTAINS MAY BE USED BY OR DISCLOSED TO ANY THIRD PARTY WITHOUT PRIOR WRITTEN CONSENT OF COMPAL ELECTRONICS, INC.		Size	Document Number	Rev	
C	LA-E552P	03			
Date:	Wednesday, October 18, 2017	Sheet	33	of	61



Security Classification		Compal Secret Data		Compal Electronics, Inc.	
Issued Date	2017/5/3	Deciphered Date	2017/6/2	Title	
THIS SHEET OF ENGINEERING DRAWING IS THE PROPRIETARY PROPERTY OF COMPAL ELECTRONICS, INC. AND CONTAINS CONFIDENTIAL AND TRADE SECRET INFORMATION. THIS SHEET MAY NOT BE TRANSFERRED FROM THE CUSTODY OF THE COMPETENT DIVISION OF R&D DEPARTMENT EXCEPT AS AUTHORIZED BY COMPAL ELECTRONICS, INC. NEITHER THIS SHEET NOR THE INFORMATION IT CONTAINS MAY BE USED BY OR DISCLOSED TO ANY THIRD PARTY WITHOUT PRIOR WRITTEN CONSENT OF COMPAL ELECTRONICS, INC.				NGFF SSD/WLAN	
Size	C	Document Number	LA-F661P	Rev	0.3
Date:	Wednesday, October 18, 2017	Sheet	34	of	61

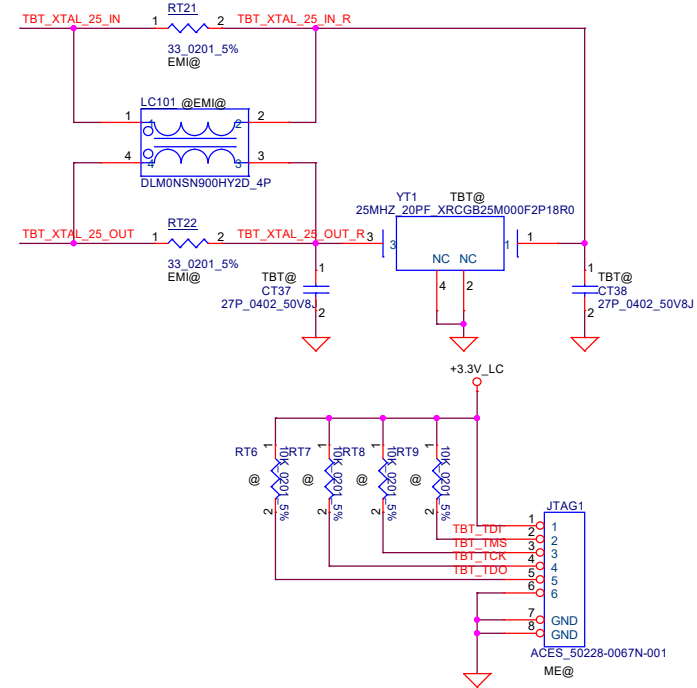
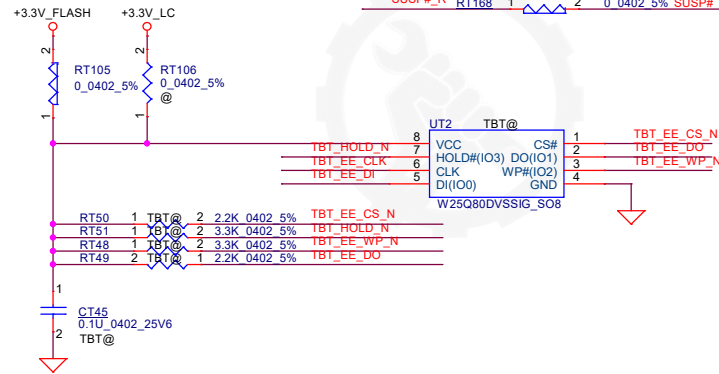
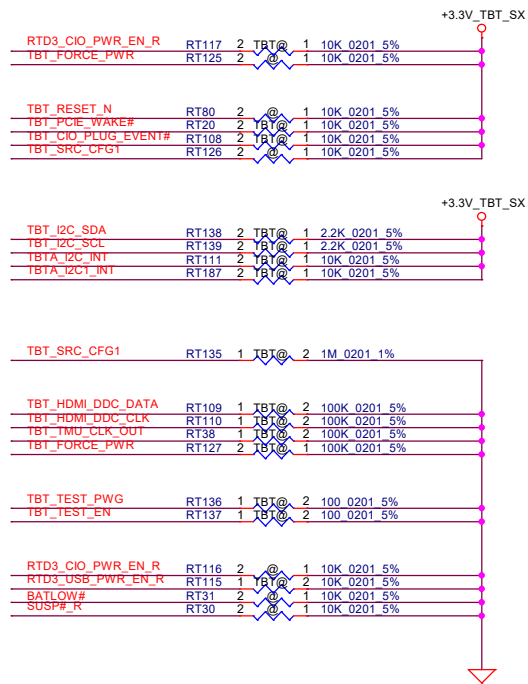
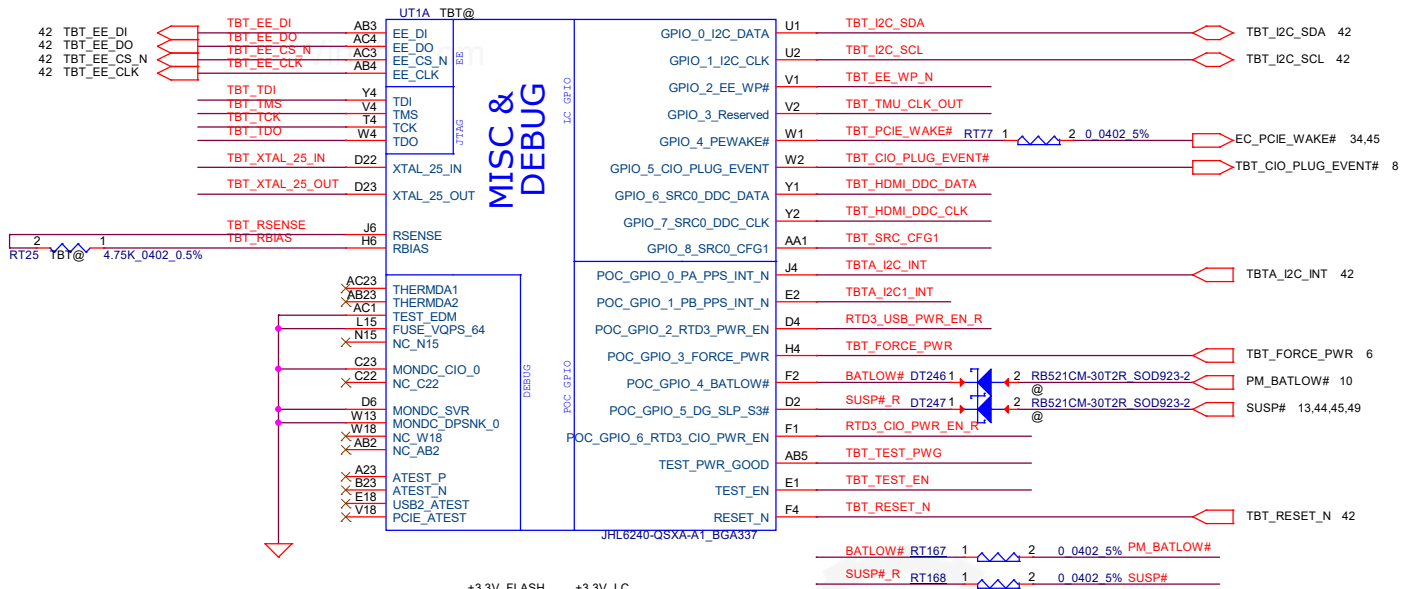


Security Classification	Compal Secret Data		Title		
Issued Date	2017/5/3	Deciphered Date	2017/6/2	Compal Electronics, Inc. KBL/KBD/LED/TP/HS Conn.	
THIS SHEET OF ENGINEERING DRAWING IS THE PROPRIETARY PROPERTY OF COMPAL ELECTRONICS, INC. AND CONTAINS CONFIDENTIAL AND TRADE SECRET INFORMATION. THIS SHEET MAY NOT BE TRANSMITTED FROM THE CUSTODY OF THE COMPETENT DIVISION OF R&D DEPARTMENT EXCEPT AS AUTHORIZED BY COMPAL ELECTRONICS, INC. NEITHER THIS SHEET NOR THE INFORMATION IT CONTAINS MAY BE USED BY OR DISCLOSED TO ANY THIRD PARTY WITHOUT PRIOR WRITTEN CONSENT OF COMPAL ELECTRONICS, INC.				Size C	Document Number LA-F661P
				Date: Wednesday, December 06, 2017	Sheet 36 of 61

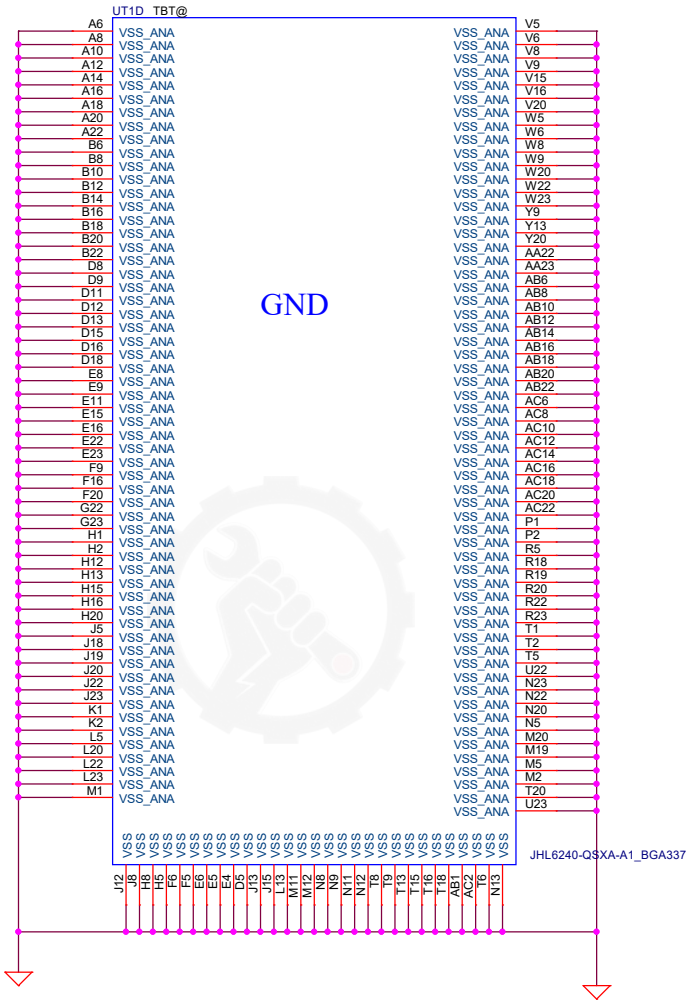


JHL6240-QSXA-A1_BGA337

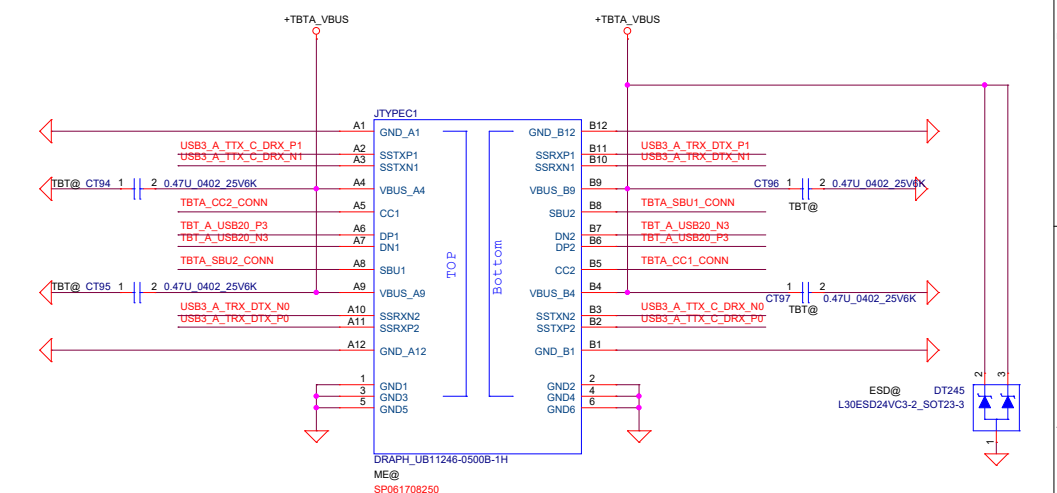
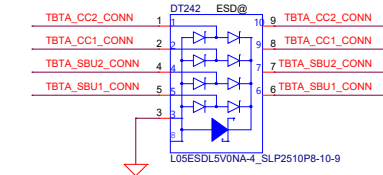
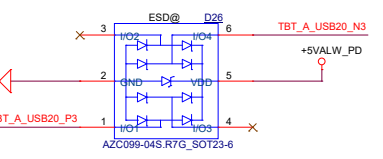
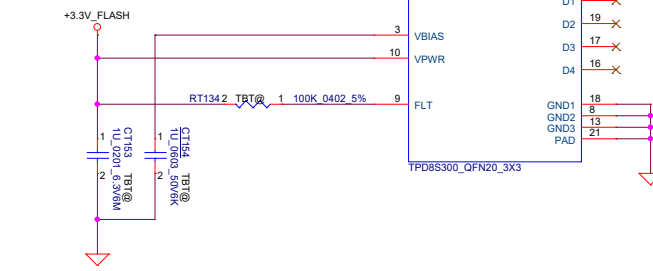
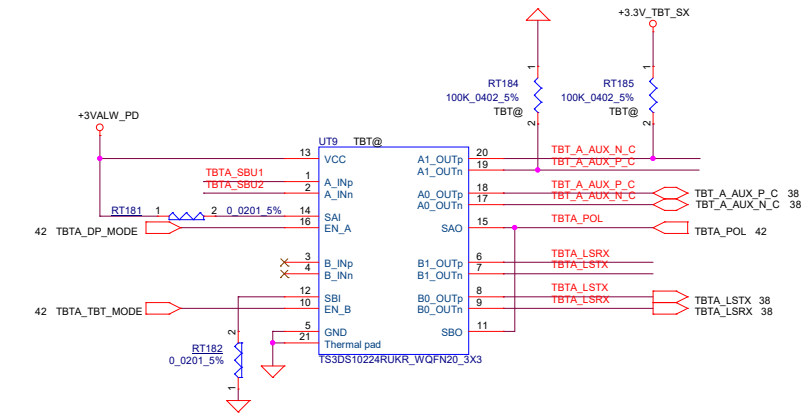
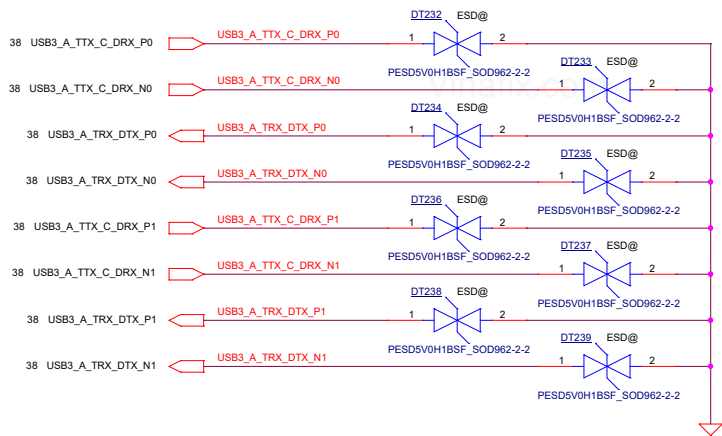
Security Classification	Compal Secret Data		Compal Electronics, Inc. Thunderbolt AR-LP(1/4)	
Issued Date	2016/06.23	Deciphered Date		
THIS SHEET OF ENGINEERING DRAWING IS THE PROPRIETARY PROPERTY OF COMPAL ELECTRONICS, INC. AND CONTAINS CONFIDENTIAL AND TRADE SECRET INFORMATION. THIS SHEET MAY NOT BE TRANSFERRED FROM THE CUSTODY OF THE COMPETENT DIVISION OF R&D DEPARTMENT EXCEPT AS AUTHORIZED BY COMPAL ELECTRONICS, INC. NEITHER THIS SHEET NOR THE INFORMATION IT CONTAINS MAY BE USED BY OR DISCLOSED TO ANY THIRD PARTY WITHOUT PRIOR WRITTEN CONSENT OF COMPAL ELECTRONICS, INC.				Title Thunderbolt AR-LP(1/4)
				Size Document Number LA-F661P
Date: Wednesday, October 18, 2017		Sheet 38 of 61		



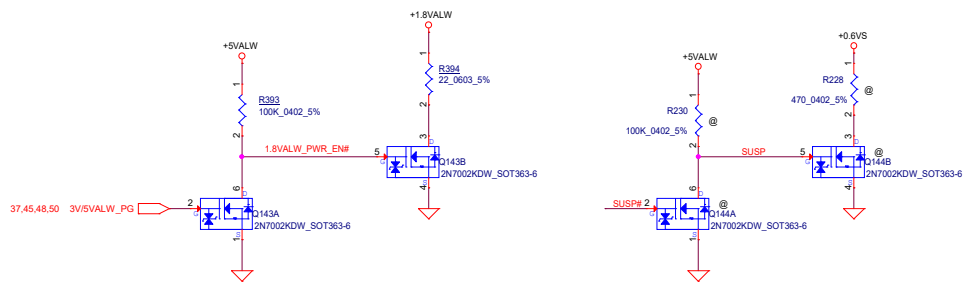
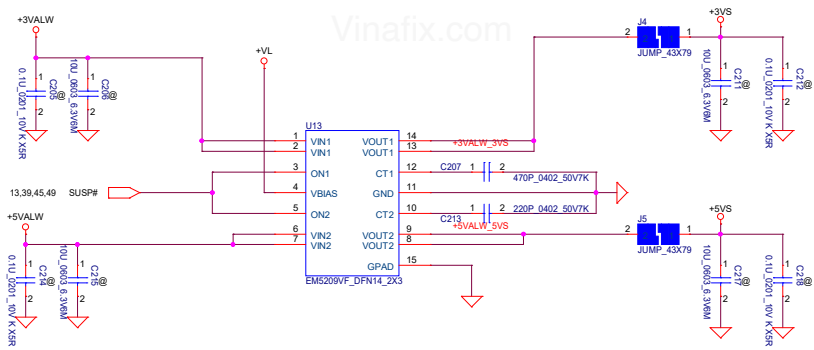
Security Classification		Compal Secret Data		Title	
Issued Date	2016/06.23	Deciphered Date	2017/06/23	Thunderbolt AR-LP(2/4)	
THIS SHEET OF ENGINEERING DRAWING IS THE PROPRIETARY PROPERTY OF COMPAL ELECTRONICS, INC. AND CONTAINS CONFIDENTIAL AND TRADE SECRET INFORMATION. THIS SHEET MAY NOT BE TRANSFERRED FROM THE CUSTODY OF THE COMPETENT DIVISION OF R&D DEPARTMENT EXCEPT AS AUTHORIZED BY COMPAL ELECTRONICS, INC. NEITHER THIS SHEET NOR THE INFORMATION IT CONTAINS MAY BE USED BY OR DISCLOSED TO ANY THIRD PARTY WITHOUT PRIOR WRITTEN CONSENT OF COMPAL ELECTRONICS, INC.				Size	Document Number
				LA-F661P	Rev 0.3
Date: Wednesday, October 18, 2017				Sheet	39 of 61



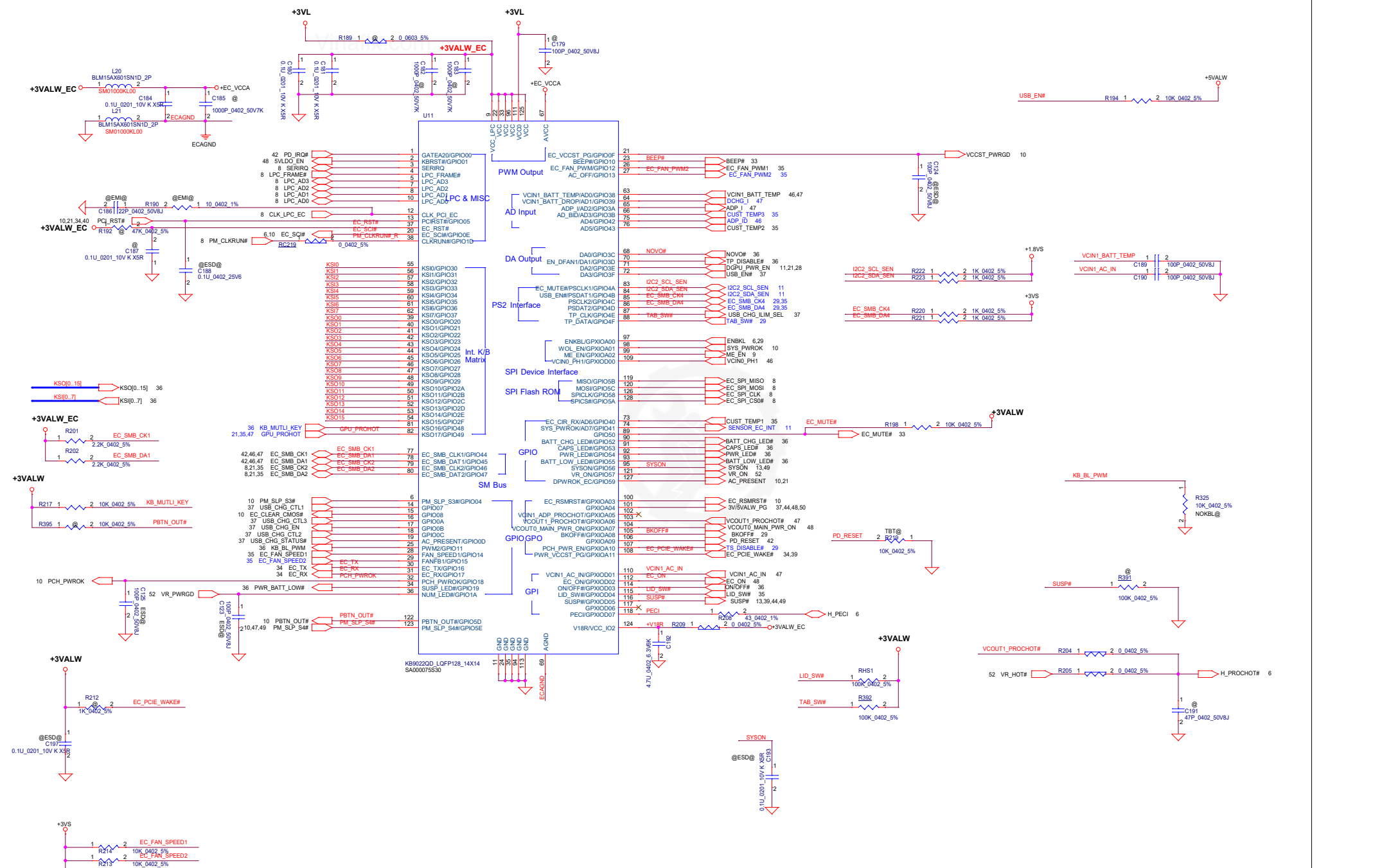
Security Classification	Compal Secret Data		Compal Electronics, Inc.	
Issued Date	2016/06/23	Deciphered Date	2017/06/23	
THIS SHEET OF ENGINEERING DRAWING IS THE PROPRIETARY PROPERTY OF COMPAL ELECTRONICS, INC. AND CONTAINS CONFIDENTIAL AND TRADE SECRET INFORMATION. THIS SHEET MAY NOT BE TRANSFERRED FROM THE CUSTODY OF THE COMPETENT DIVISION OF R&D DEPARTMENT EXCEPT AS AUTHORIZED BY COMPAL ELECTRONICS, INC. NEITHER THIS SHEET NOR THE INFORMATION IT CONTAINS MAY BE USED BY OR DISCLOSED TO ANY THIRD PARTY WITHOUT PRIOR WRITTEN CONSENT OF COMPAL ELECTRONICS, INC.			Title	Thunderbolt AR-LP(4/4)
			Size	Document Number
			LA-F661P	
			Date:	Tuesday, October 17, 2017
			Sheet	41 of 61
			Rev	0.3



Security Classification	Compal Secret Data		Title	
Issued Date	2017/5/3	Deciphered Date	2017/06/23	USB3.1 TypeC
THIS SHEET OF ENGINEERING DRAWING IS THE PROPRIETARY PROPERTY OF COMPAL ELECTRONICS, INC. AND CONTAINS CONFIDENTIAL AND TRADE SECRET INFORMATION. THIS SHEET MAY NOT BE TRANSFERRED FROM THE CUSTODY OF THE COMPETENT DIVISION OF R&D DEPARTMENT EXCEPT AS AUTHORIZED BY COMPAL ELECTRONICS, INC. NEITHER THIS SHEET NOR THE INFORMATION IT CONTAINS MAY BE USED BY OR DISCLOSED TO ANY THIRD PARTY WITHOUT PRIOR WRITTEN CONSENT OF COMPAL ELECTRONICS, INC.				Rev 0.3
Date: Wednesday, October 18, 2017				Sheet 43 of 61



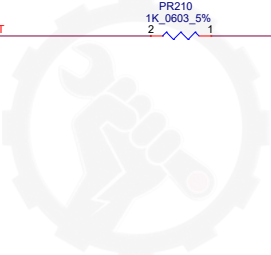
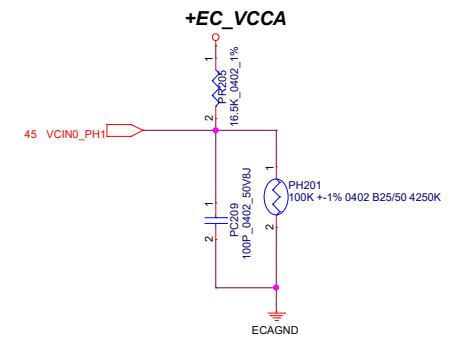
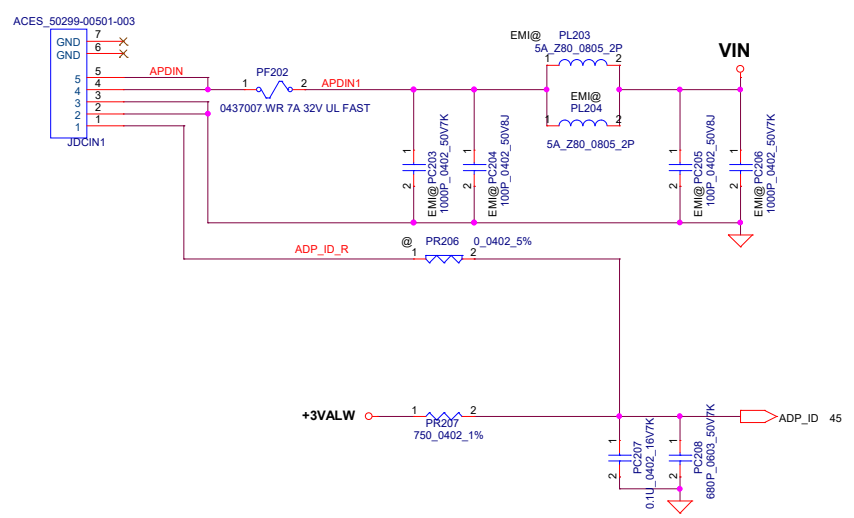
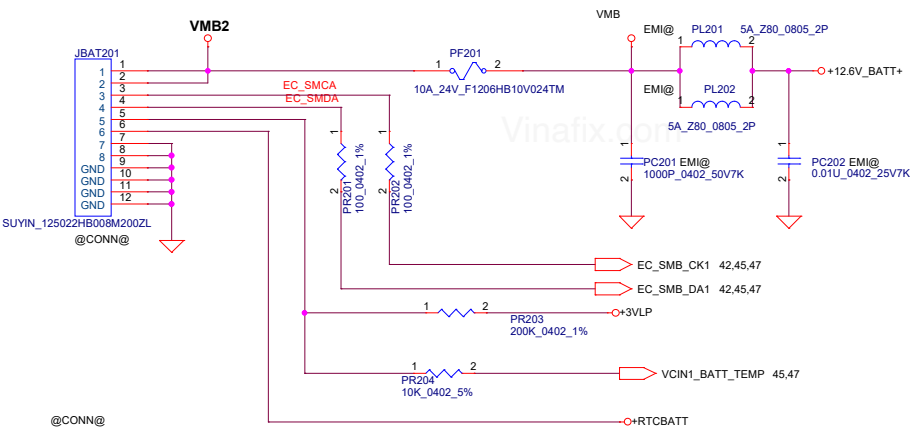
Security Classification		Compal Secret Data		Compal Electronics, Inc.	
Issued Date	2017/5/3	Deciphered Date	2017/6/2	Title	
THIS SHEET OF ENGINEERING DRAWING IS THE PROPRIETARY PROPERTY OF COMPAL ELECTRONICS, INC. AND CONTAINS CONFIDENTIAL AND TRADE SECRET INFORMATION. THIS SHEET MAY NOT BE TRANSFERRED FROM THE CUSTODY OF THE COMPETENT DIVISION OF RAD DEPARTMENT EXCEPT AS AUTHORIZED BY COMPAL ELECTRONICS, INC. NEITHER THIS SHEET NOR THE INFORMATION IT CONTAINS MAY BE USED BY OR DISCLOSED TO ANY THIRD PARTY WITHOUT PRIOR WRITTEN CONSENT OF COMPAL ELECTRONICS, INC.				DC to DC	
Size	C	Document Number	LA-F661P	Rev	0.3
Date:		Wednesday, October 18, 2017		Sheet	44 of 61



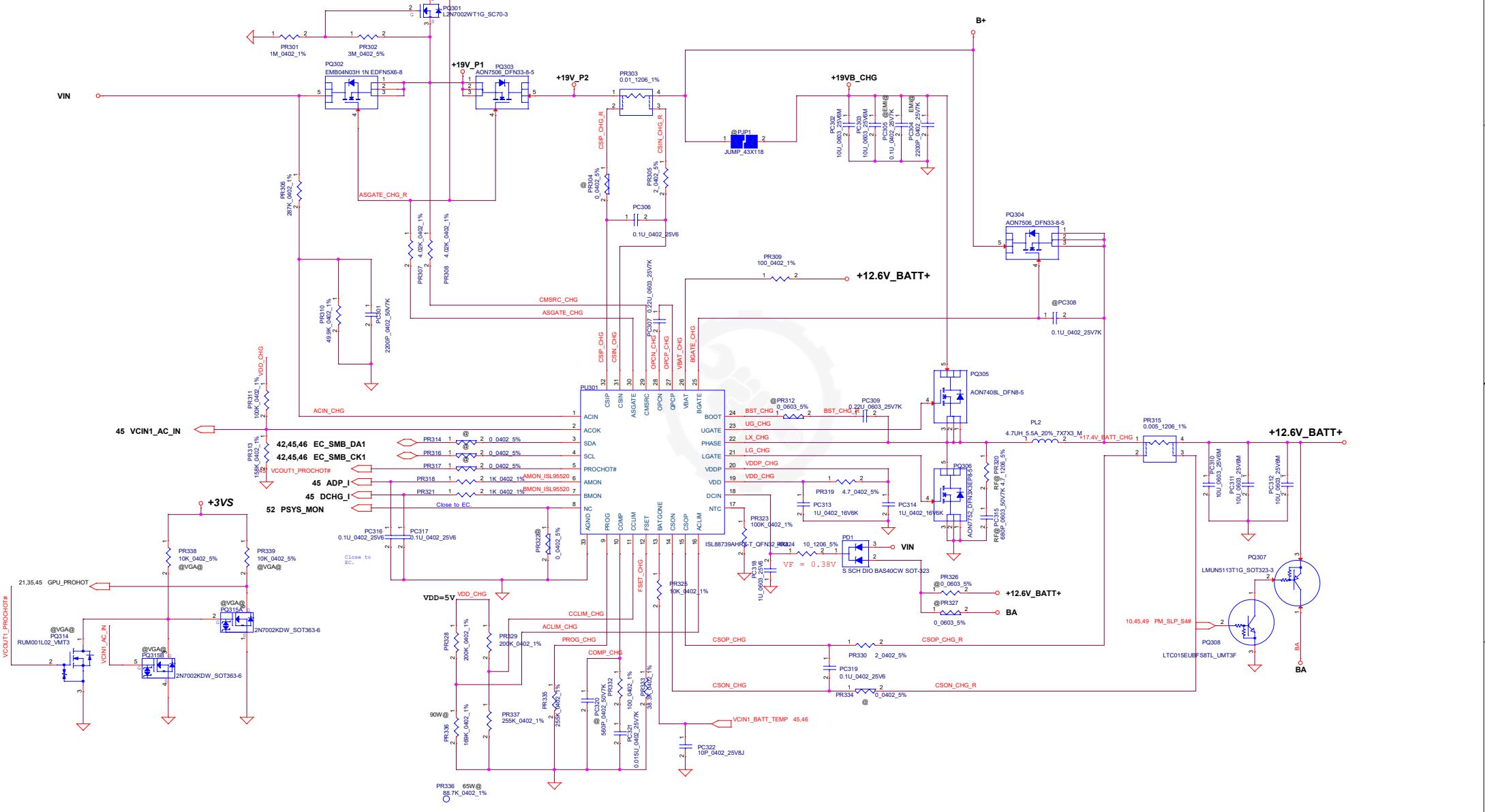
Security Classification		Compal Secret Data		Title	
Issued Date		Deciphered Date		EC KB9022QD	
2017/5/3		2017/6/2		LA-F661P	
THIS SHEET OF ENGINEERING DRAWING IS THE PROPRIETARY PROPERTY OF COMPAL ELECTRONICS, INC. AND CONTAINS CONFIDENTIAL AND TRADE SECRET INFORMATION. THIS SHEET MAY NOT BE TRANSMITTED FROM THE CUSTODY OF THE COMPETENT DIVISION OF R&D DEPARTMENT EXCEPT AS AUTHORIZED BY COMPAL ELECTRONICS, INC. NEITHER THIS SHEET NOR THE INFORMATION IT CONTAINS MAY BE USED BY OR DISCLOSED TO ANY THIRD PARTY WITHOUT PRIOR WRITTEN CONSENT OF COMPAL ELECTRONICS, INC.					
Size C	Document Number	Date:	Wednesday, October 18, 2017	Sheet	45 of 61

Compal Electronics, Inc.
EC KB9022QD

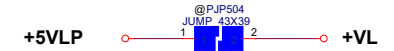
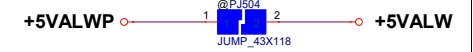
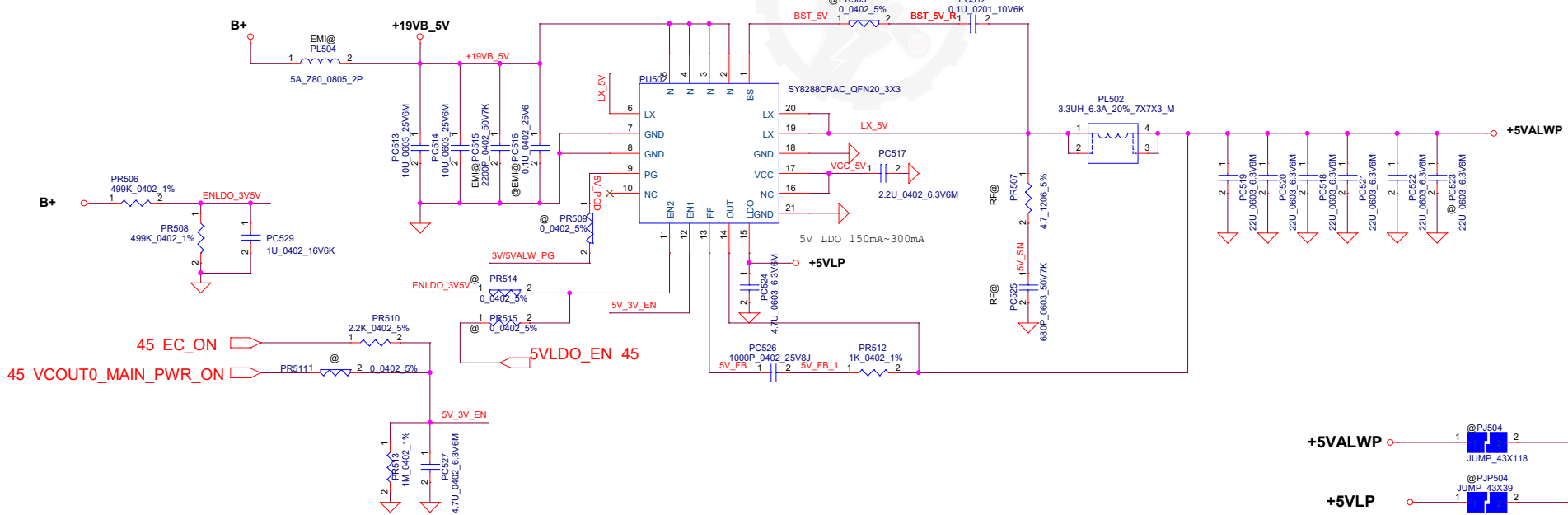
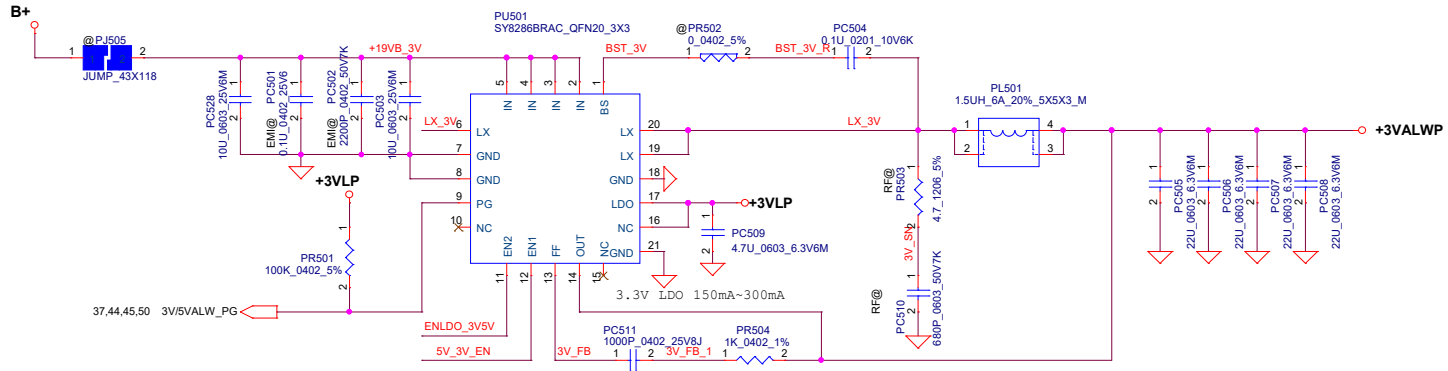
Rev 0.3
 Date: Wednesday, October 18, 2017 Sheet 45 of 61



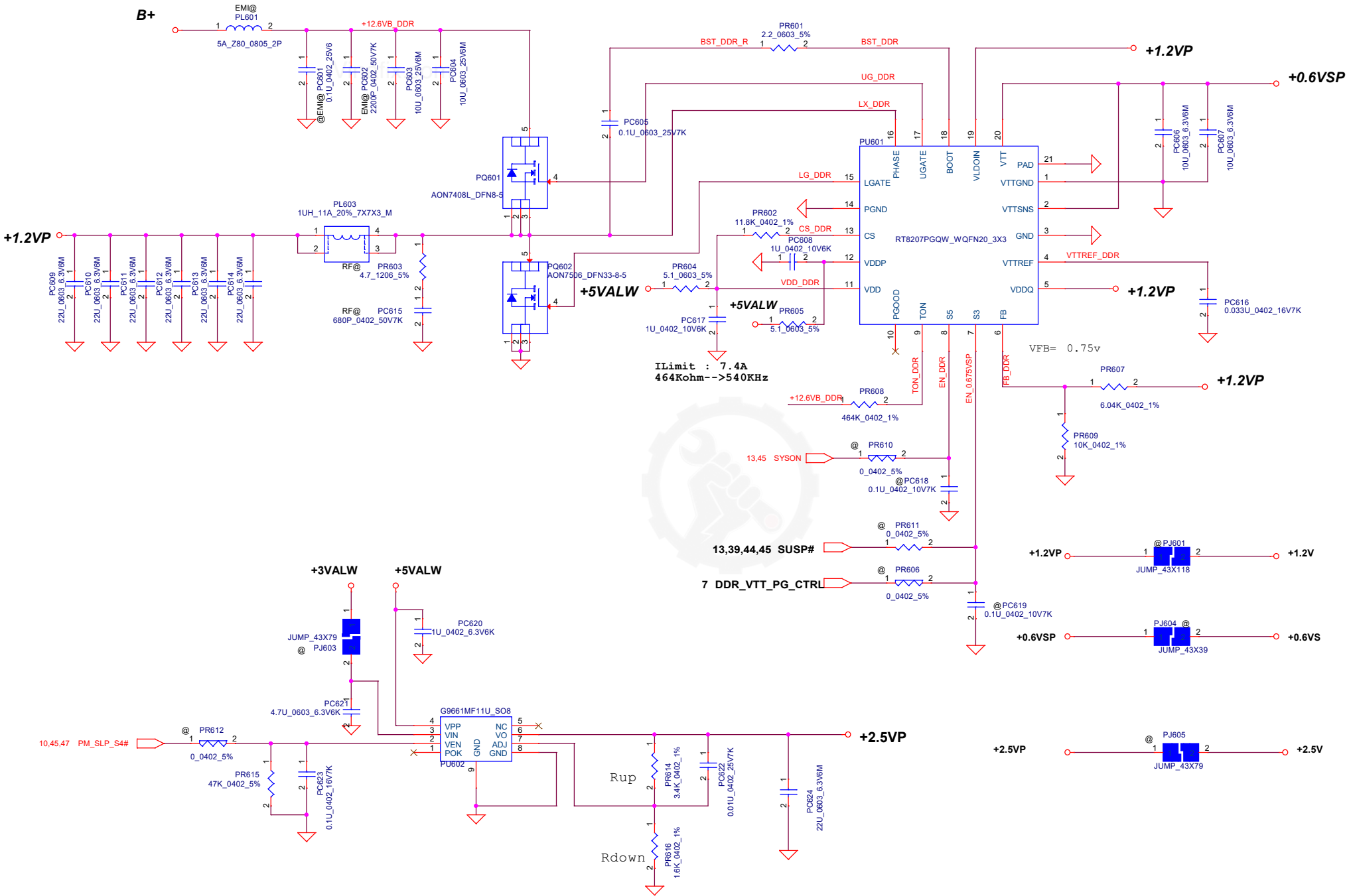
Security Classification	Compal Secret Data		Title	
Issued Date	2015/07/27	Deciphered Date	2016/07/27	Compal Electronics, Inc.
THIS SHEET OF ENGINEERING DRAWING IS THE PROPRIETARY PROPERTY OF COMPAL ELECTRONICS, INC. AND CONTAINS CONFIDENTIAL AND TRADE SECRET INFORMATION. THIS SHEET MAY NOT BE TRANSFERRED FROM THE CUSTODY OF THE COMPETENT DIVISION OF R&D DEPARTMENT EXCEPT AS AUTHORIZED BY COMPAL ELECTRONICS, INC. NEITHER THIS SHEET NOR THE INFORMATION IT CONTAINS MAY BE USED BY OR DISCLOSED TO ANY THIRD PARTY WITHOUT PRIOR WRITTEN CONSENT OF COMPAL ELECTRONICS, INC.				Size Document Number
				SKL
				Rev 0.1
				Date: Wednesday, October 18, 2017 Sheet 46 of 61



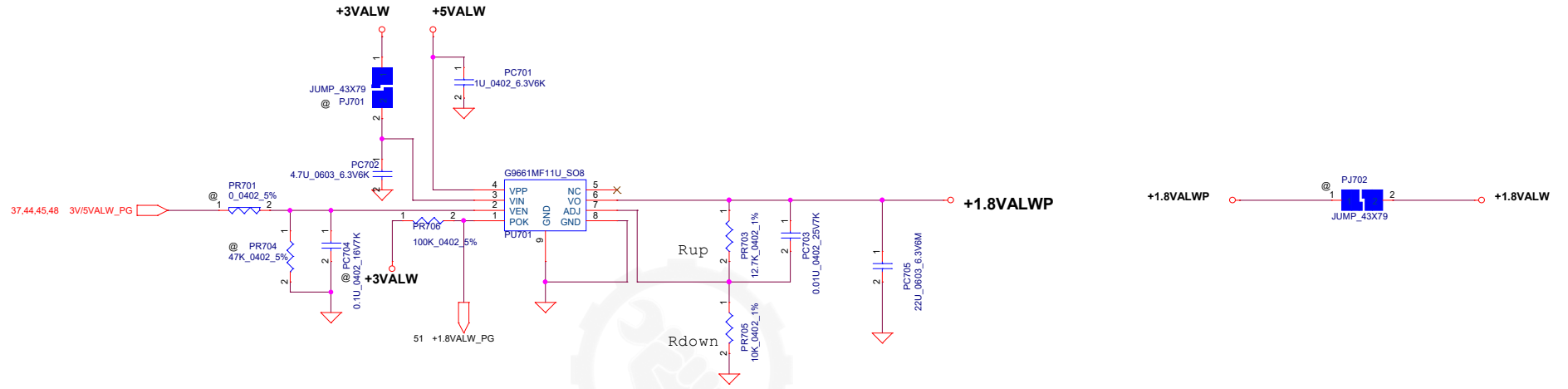
Security Classification	Compal Secret Data		Title	Compal Electronics, Inc. PWR_CHARGER
Issued Date	2014/11/05	Deciphered Date		
THIS SHEET OF ENGINEERING DRAWINGS IS THE PROPRIETARY PROPERTY OF COMPAL ELECTRONICS, INC. AND CONTAINS CONFIDENTIAL AND TRADE SECRET INFORMATION. THIS SHEET MAY NOT BE TRANSFERRED FROM THE CUSTODY OF THE COMPETENT DIVISION OF R&D DEPARTMENT EXCEPT AS AUTHORIZED BY COMPAL ELECTRONICS, INC. NEITHER THIS SHEET NOR THE INFORMATION IT CONTAINS MAY BE USED BY OR DISCLOSED TO ANY THIRD PARTY WITHOUT PRIOR WRITTEN CONSENT OF COMPAL ELECTRONICS, INC.				
Size	Document Number	Rev	Date: Wednesday, October 18, 2017 Sheet: 47 of 61	



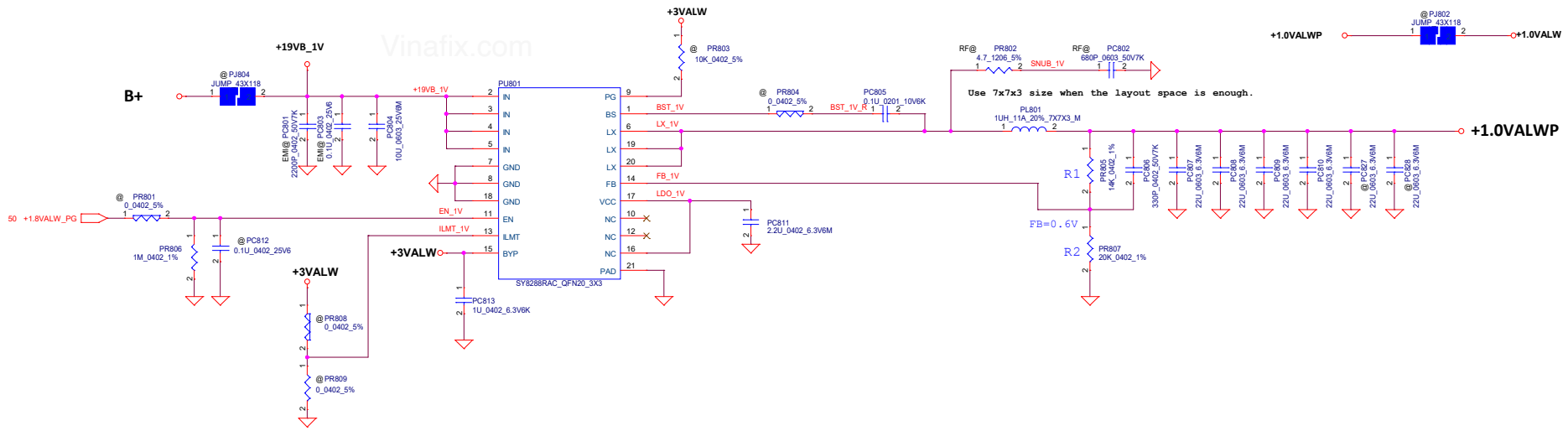
Security Classification		Compal Secret Data		Title	
Issued Date	2011/06/15	Deciphered Date	2012/07/11	+3VALWP/+5VALW	
THIS SHEET OF ENGINEERING DRAWING IS THE PROPRIETARY PROPERTY OF COMPAL ELECTRONICS, INC. AND CONTAINS CONFIDENTIAL AND TRADE SECRET INFORMATION. THIS SHEET MAY NOT BE TRANSFERRED FROM THE CUSTODY OF THE COMPETENT DIVISION OF R&D DEPARTMENT EXCEPT AS AUTHORIZED BY COMPAL ELECTRONICS, INC. NEITHER THIS SHEET NOR THE INFORMATION IT CONTAINS MAY BE USED BY OR DISCLOSED TO ANY THIRD PARTY WITHOUT PRIOR WRITTEN CONSENT OF COMPAL ELECTRONICS, INC.				Size	Document Number
				Date:	Wednesday, October 18, 2017
				Sheet	48 of 61
				Rev	0.1



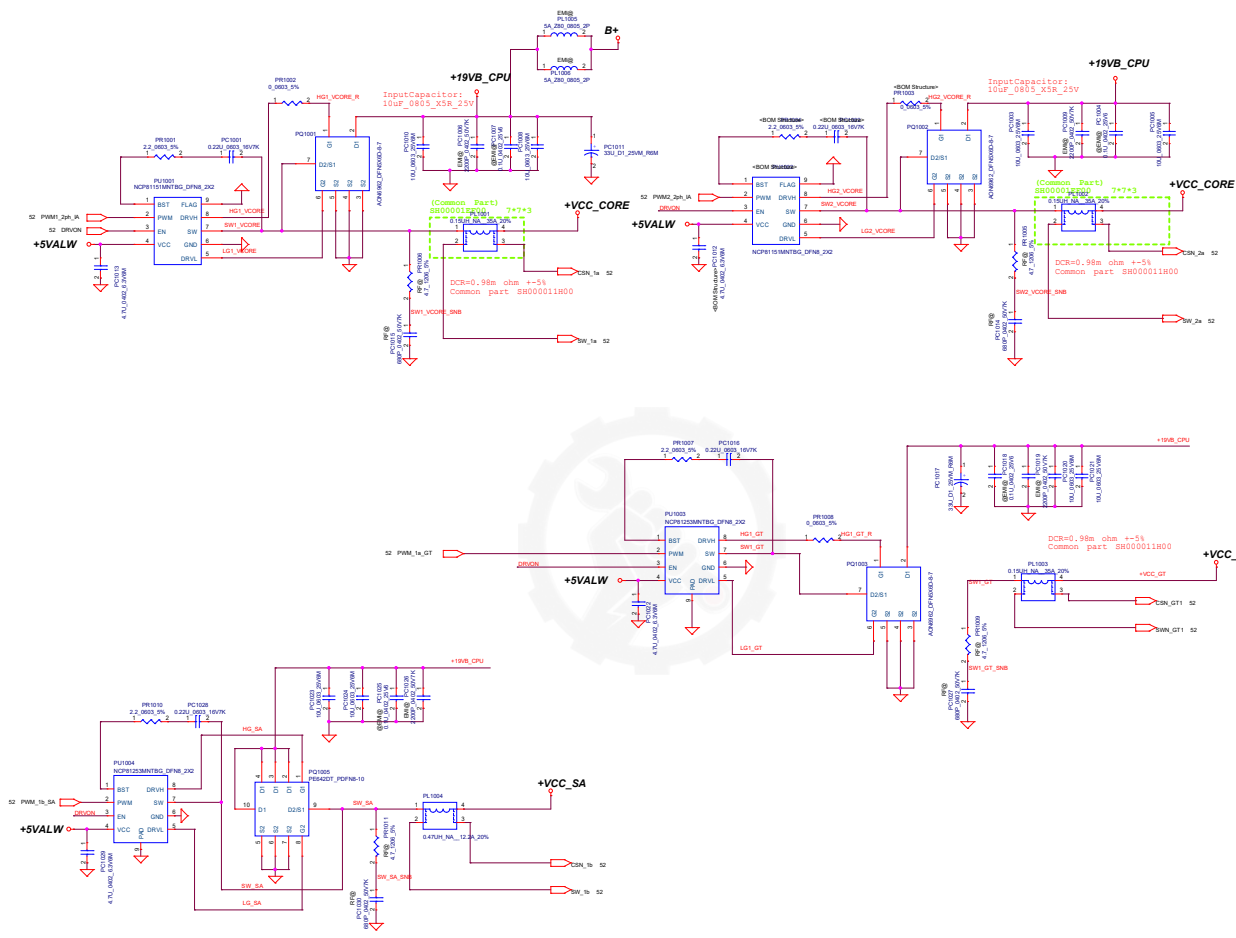
Security Classification		Compal Secret Data		Compal Electronics, Inc.	
Issued Date	2010/07/20	Deciphered Date	2012/12/31	Title	
THIS SHEET OF ENGINEERING DRAWING IS THE PROPRIETARY PROPERTY OF COMPAL ELECTRONICS, INC. AND CONTAINS CONFIDENTIAL AND TRADE SECRET INFORMATION. THIS SHEET MAY NOT BE TRANSFERRED FROM THE CUSTODY OF THE COMPETENT DIVISION OF R&D DEPARTMENT EXCEPT AS AUTHORIZED BY COMPAL ELECTRONICS, INC. NEITHER THIS SHEET NOR THE INFORMATION IT CONTAINS MAY BE USED BY OR DISCLOSED TO ANY THIRD PARTY WITHOUT PRIOR WRITTEN CONSENT OF COMPAL ELECTRONICS, INC.				RT8207P	
Size	Document Number			Rev	0.1
Date:	Wednesday, October 18, 2017	Sheet	49	of	61

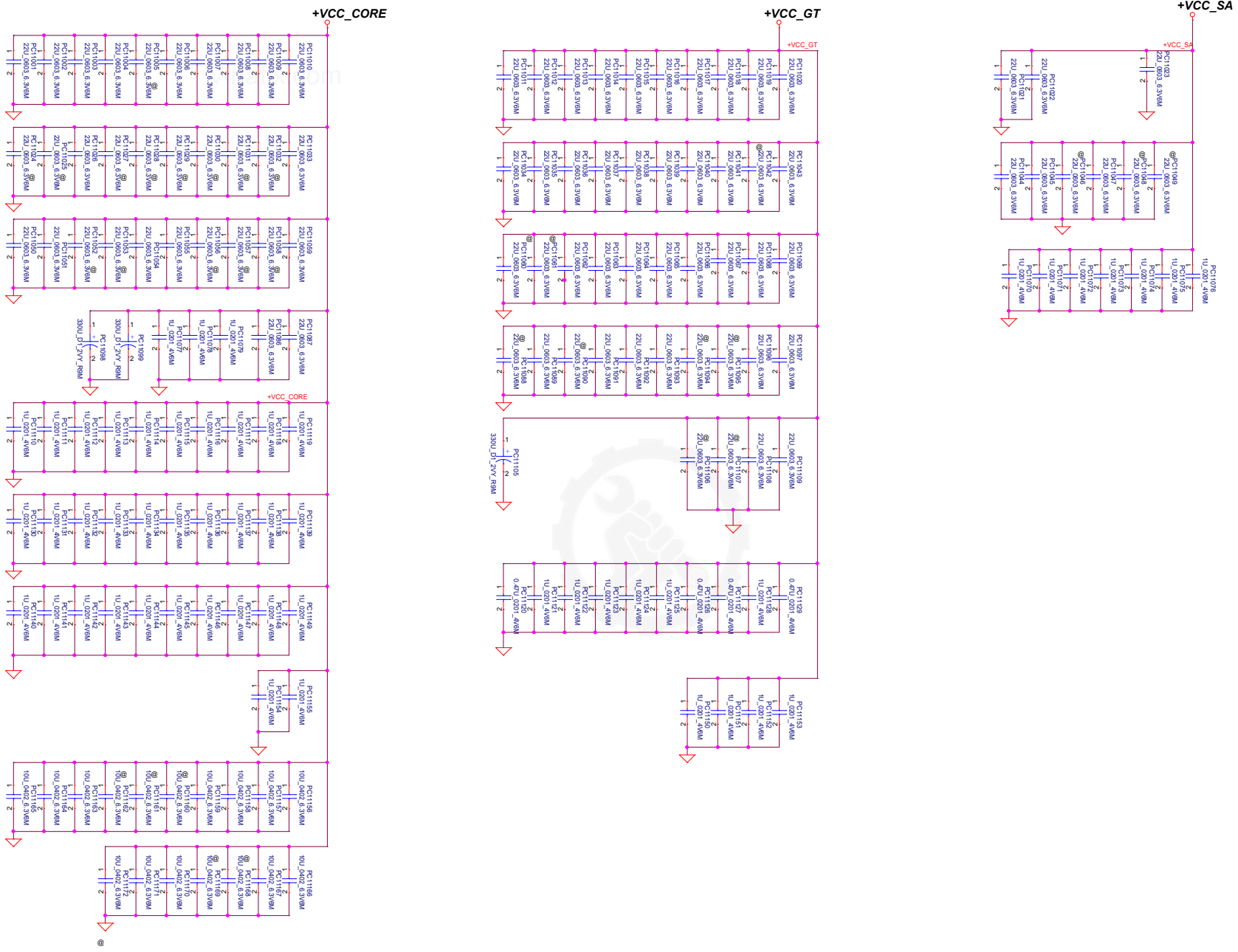


Security Classification	Compal Secret Data		Compal Electronics, Inc.	
Issued Date	2011/06/13	Deciphered Date	2012/06/13	Title APL5930
THIS SHEET OF ENGINEERING DRAWING IS THE PROPRIETARY PROPERTY OF COMPAL ELECTRONICS, INC. AND CONTAINS CONFIDENTIAL AND TRADE SECRET INFORMATION. THIS SHEET MAY NOT BE TRANSFERRED FROM THE CUSTODY OF THE COMPETENT DIVISION OF R&D DEPARTMENT EXCEPT AS AUTHORIZED BY COMPAL ELECTRONICS, INC. NEITHER THIS SHEET NOR THE INFORMATION IT CONTAINS MAY BE USED BY OR DISCLOSED TO ANY THIRD PARTY WITHOUT PRIOR WRITTEN CONSENT OF COMPAL ELECTRONICS, INC.				Size Custom
Date: Wednesday, October 18, 2017				Sheet 50 of 61
				Rev 0.1

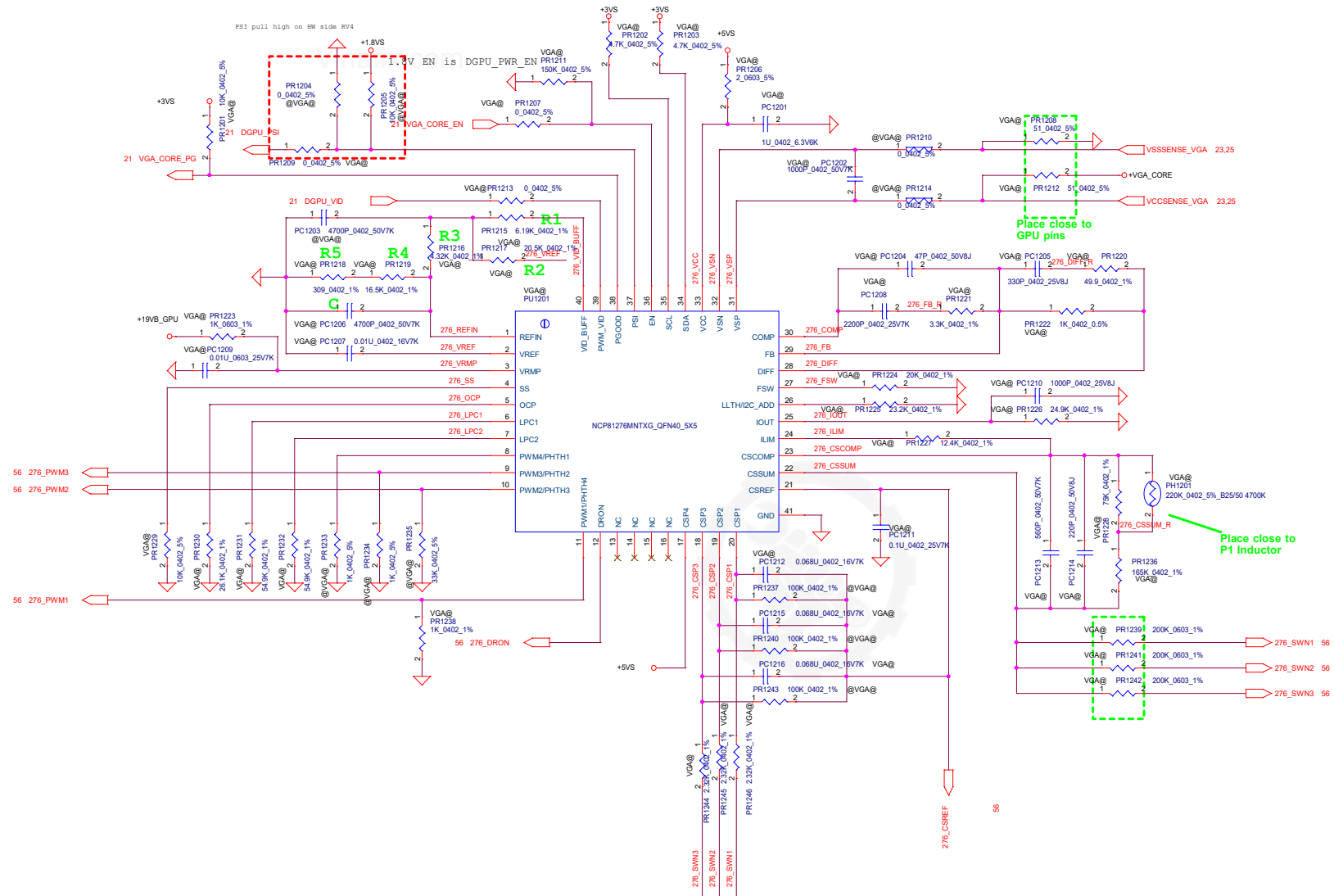


Security Classification	Compal Secret Data		Title	
Issued Date	2014/11/10	Deciphered Date	2016/11/10	SY8286
<small>THIS SHEET OF ENGINEERING DRAWING IS THE PROPRIETARY PROPERTY OF COMPAL ELECTRONICS, INC. AND CONTAINS CONFIDENTIAL AND TRADE SECRET INFORMATION. THIS SHEET MAY NOT BE TRANSFERRED FROM THE CUSTODY OF THE COMPETENT DIVISION OF RAD DEPARTMENT EXCEPT AS AUTHORIZED BY COMPAL ELECTRONICS, INC. NEITHER THIS SHEET NOR THE INFORMATION IT CONTAINS MAY BE USED BY OR DISCLOSED TO ANY THIRD PARTY WITHOUT PRIOR WRITTEN CONSENT OF COMPAL ELECTRONICS, INC.</small>				Size Document Number Rev 0.1
Date:	Wednesday, October 18, 2017	Sheet	81	of 81



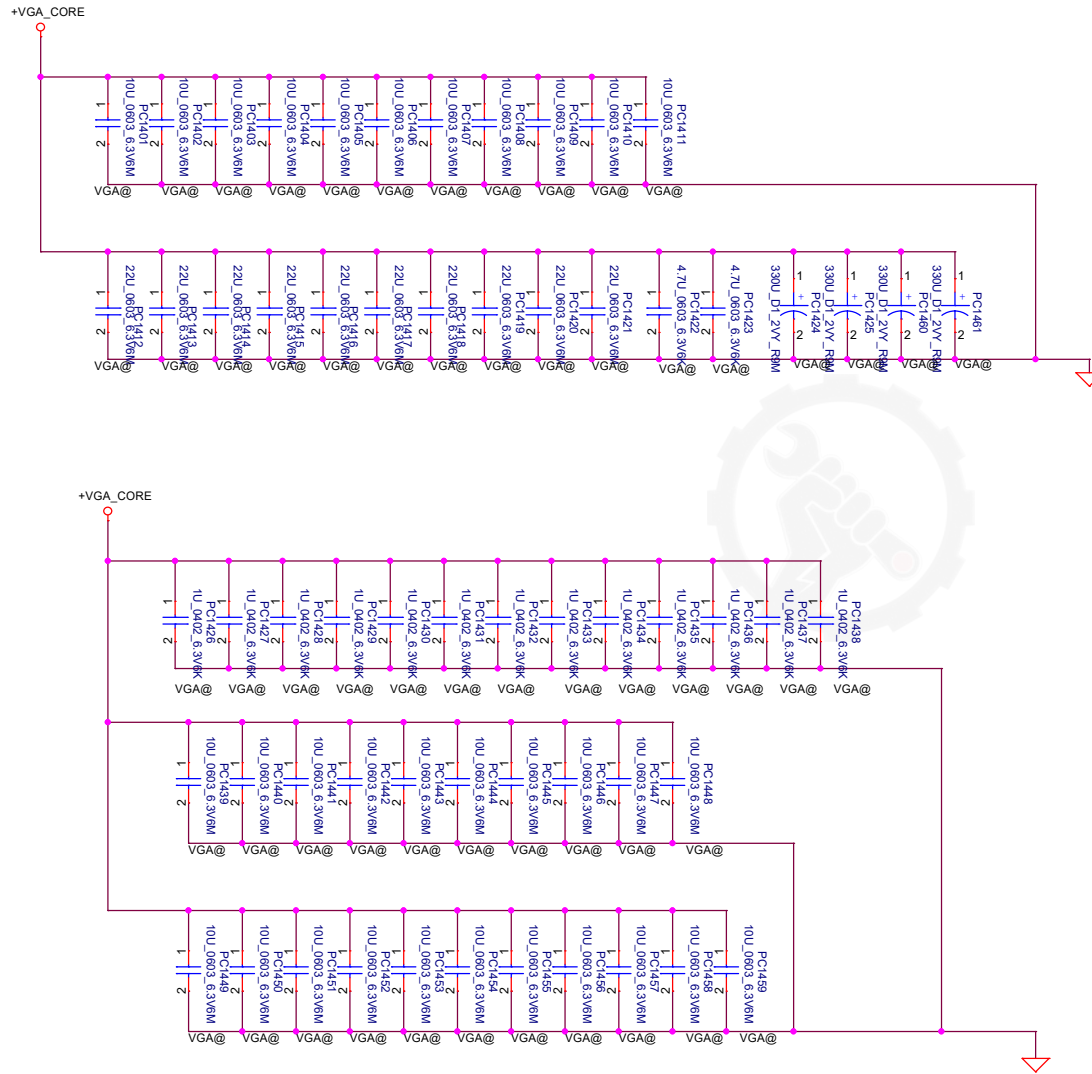


Security Classification	Compal Secret Data		Compal Electronics, Inc.	
Issued Date	2015/07/27	Deciphered Date	2016/07/27	Title
THIS SHEET OF ENGINEERING DRAWING IS THE PROPRIETARY PROPERTY OF COMPAL ELECTRONICS, INC. AND CONTAINS CONFIDENTIAL AND TRADE SECRET INFORMATION. THIS SHEET MAY NOT BE TRANSFERRED FROM THE CUSTODY OF THE COMPETENT DIVISION OF R&D DEPARTMENT EXCEPT AS AUTHORIZED BY COMPAL ELECTRONICS, INC. NEITHER THIS SHEET NOR THE INFORMATION IT CONTAINS MAY BE USED BY OR DISCLOSED TO ANY THIRD PARTY WITHOUT PRIOR WRITTEN CONSENT OF COMPAL ELECTRONICS, INC.				PWR-PROCESSOR DECOUPLING Document Number Rev 0.1
Date:	Wednesday, October 18, 2017	Sheet	54	of 61

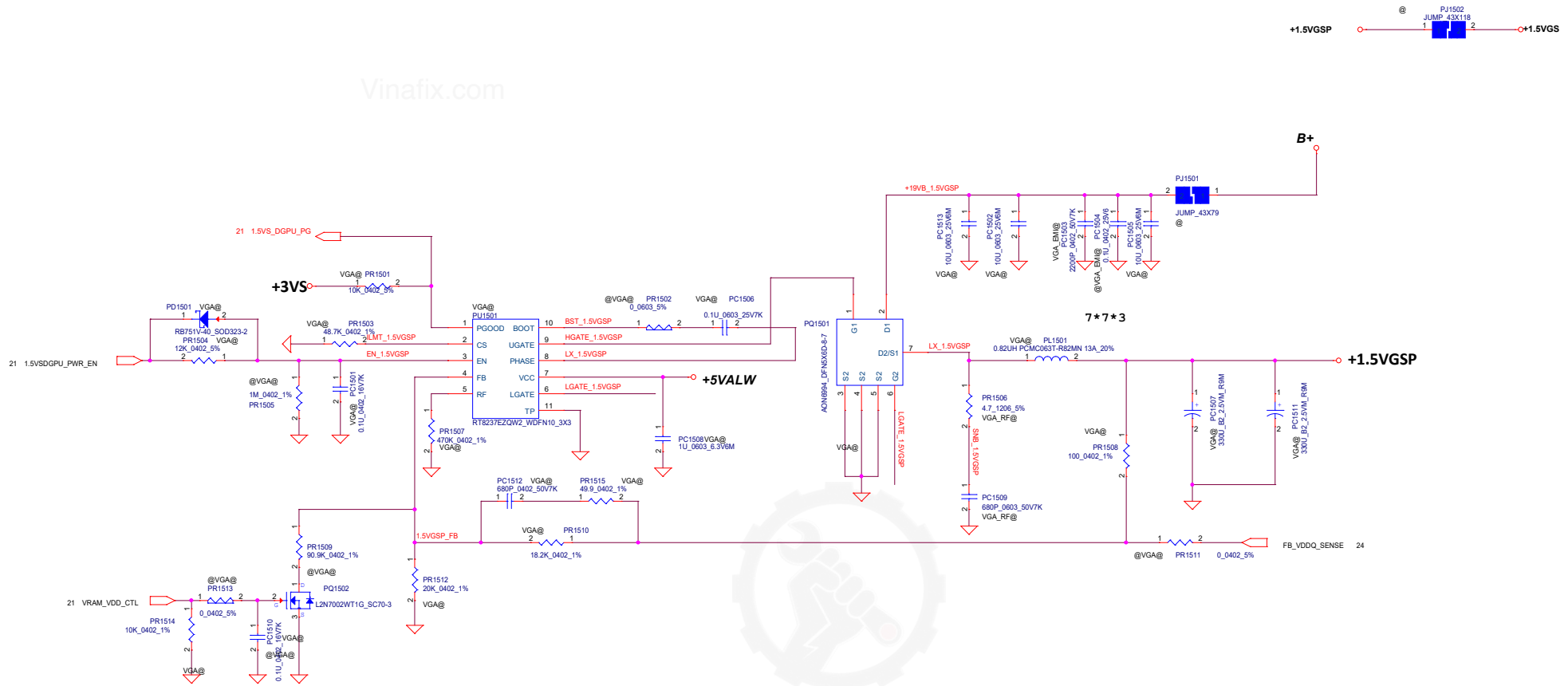


Security Classification	Compal Secret Data	
Issued Date	2012/04/19	Deciphered Date
2015/04/19		
THIS SHEET OF ENGINEERING DRAWING IS THE PROPRIETARY PROPERTY OF COMPAL ELECTRONICS, INC. AND CONTAINS CONFIDENTIAL AND TRADE SECRET INFORMATION. THIS SHEET MAY NOT BE TRANSFERRED FROM THE CUSTODY OF THE COMPETENT DIVISION OF RAD DEPARTMENT EXCEPT AS AUTHORIZED BY COMPAL ELECTRONICS, INC. NEITHER THIS SHEET NOR THE INFORMATION IT CONTAINS MAY BE USED BY OR DISCLOSED TO ANY THIRD PARTY WITHOUT PRIOR WRITTEN CONSENT OF COMPAL ELECTRONICS, INC.		

Compal Electronics, Inc.	
VGA CORE	
Size	Document Number
Custom	VGA CORE
Date:	Wednesday, October 18, 2017
Sheet	85 of 61
Rev	0.1



Security Classification		Compal Secret Data		Compal Electronics, Inc.	
Issued Date	2015/09/18	Deciphered Date	2016/09/18	Title VGA DECOUPLING	
THIS SHEET OF ENGINEERING DRAWING IS THE PROPRIETARY PROPERTY OF COMPAL ELECTRONICS, INC. AND CONTAINS CONFIDENTIAL AND TRADE SECRET INFORMATION. THIS SHEET MAY NOT BE TRANSFERRED FROM THE CUSTODY OF THE COMPETENT DIVISION OF R&D DEPARTMENT EXCEPT AS AUTHORIZED BY COMPAL ELECTRONICS, INC. NEITHER THIS SHEET NOR THE INFORMATION IT CONTAINS MAY BE USED BY OR DISCLOSED TO ANY THIRD PARTY WITHOUT PRIOR WRITTEN CONSENT OF COMPAL ELECTRONICS, INC.				Size	Document Number VGA CORE
				Date	Wednesday, October 18, 2017



Security Classification	Compal Secret Data		Compal Electronics, Inc.	
Issued Date	2014/11/10	Deciphered Date	2016/11/10	Title
THIS SHEET OF ENGINEERING DRAWING IS THE PROPRIETARY PROPERTY OF COMPAL ELECTRONICS, INC. AND CONTAINS CONFIDENTIAL AND TRADE SECRET INFORMATION. THIS SHEET MAY NOT BE TRANSFERRED FROM THE CUSTODY OF THE COMPETENT DIVISION OF RAD DEPARTMENT EXCEPT AS AUTHORIZED BY COMPAL ELECTRONICS, INC. NEITHER THIS SHEET NOR THE INFORMATION IT CONTAINS MAY BE USED BY OR DISCLOSED TO ANY THIRD PARTY WITHOUT PRIOR WRITTEN CONSENT OF COMPAL ELECTRONICS, INC.				SY8286
Size	Document Number	Rev	Date: Wednesday, October 18, 2017 Sheet 88 of 81	